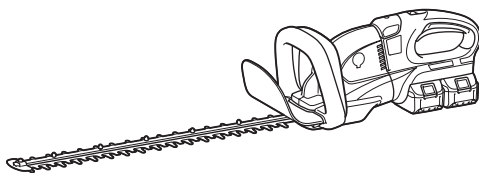


INSTRUCTION MANUAL
MANUEL D'INSTRUCTION
MANUAL DE INSTRUCCIONES



Cordless Hedge Trimmer Taille-haie sans fil Cortasetos Inalámbrico

DUH551
DUH651



IMPORTANT: Read Before Using.

IMPORTANT : Lire avant usage.

IMPORTANTE: Lea antes de usar.

SPECIFICATIONS

Model	DUH551	DUH651
Blade length	550 mm (21-5/8")	650 mm (25-1/2")
Strokes per minute (RPM)	1,000 /min - 1,800 /min	
Overall length	1,065 mm (42")	1,135 mm (44-3/4")
Rated voltage	D.C. 36 V	
Net weight	4.6 - 5.3 kg (10.2 - 11.6 lbs)	4.7 - 5.5 kg (10.3 - 12.0 lbs)

- Due to our continuing program of research and development, the specifications herein are subject to change without notice.
- Specifications may differ from country to country.
- The weight may differ depending on the attachment(s), including the battery cartridge. The lightest and heaviest combination, according to EPTA-Procedure 01/2014, are shown in the table.

Applicable battery cartridge and charger

Battery cartridge	BL1815N / BL1820B / BL1830 / BL1830B / BL1840B / BL1850B / BL1860B
Charger	DC18RC / DC18RD / DC18RE / DC18SD / DC18SE / DC18SF / DC18SH

- Some of the battery cartridges and chargers listed above may not be available depending on your region of residence.

⚠WARNING: Only use the battery cartridges and chargers listed above. Use of any other battery cartridges and chargers may cause injury and/or fire.

Recommended cord connected power source

Battery adapter	BAP182
Portable power pack	PDC01 / PDC1200

- The cord connected power source(s) listed above may not be available depending on your region of residence.
- Before using the cord connected power source, read instruction and cautionary markings on them.

General Power Tool Safety Warnings

⚠WARNING Read all safety warnings and all instructions. Failure to follow the warnings and instructions may result in electric shock, fire and/or serious injury.

Save all warnings and instructions for future reference.

The term "power tool" in the warnings refers to your mains-operated (corded) power tool or battery-operated (cordless) power tool.

Work area safety

1. **Keep work area clean and well lit.** Cluttered or dark areas invite accidents.
2. **Do not operate power tools in explosive atmospheres, such as in the presence of flammable liquids, gases or dust.** Power tools create sparks which may ignite the dust or fumes.
3. **Keep children and bystanders away while operating a power tool.** Distractions can cause you to lose control.

Electrical safety

4. **Power tool plugs must match the outlet. Never modify the plug in any way. Do not use any adapter plugs with earthed (grounded) power tools.** Unmodified plugs and matching outlets will reduce risk of electric shock.

5. **Avoid body contact with earthed or grounded surfaces such as pipes, radiators, ranges and refrigerators.** There is an increased risk of electric shock if your body is earthed or grounded.
6. **Do not expose power tools to rain or wet conditions.** Water entering a power tool will increase the risk of electric shock.
7. **Do not abuse the cord. Never use the cord for carrying, pulling or unplugging the power tool. Keep cord away from heat, oil, sharp edges or moving parts.** Damaged or entangled cords increase the risk of electric shock.
8. **When operating a power tool outdoors, use an extension cord suitable for outdoor use.** Use of a cord suitable for outdoor use reduces the risk of electric shock.
9. **If operating a power tool in a damp location is unavoidable, use a ground fault circuit interrupter (GFCI) protected supply.** Use of an GFCI reduces the risk of electric shock.

Personal safety

10. **Stay alert, watch what you are doing and use common sense when operating a power tool. Do not use a power tool while you are tired or under the influence of drugs, alcohol or medication.** A moment of inattention while operating power tools may result in serious personal injury.

11. **Use personal protective equipment. Always wear eye protection.** Protective equipment such as dust mask, non-skid safety shoes, hard hat, or hearing protection used for appropriate conditions will reduce personal injuries.
12. **Prevent unintentional starting. Ensure the switch is in the off-position before connecting to power source and/or battery pack, picking up or carrying the tool.** Carrying power tools with your finger on the switch or energising power tools that have the switch on invites accidents.
13. **Remove any adjusting key or wrench before turning the power tool on.** A wrench or a key left attached to a rotating part of the power tool may result in personal injury.
14. **Do not overreach. Keep proper footing and balance at all times.** This enables better control of the power tool in unexpected situations.
15. **Dress properly. Do not wear loose clothing or jewellery. Keep your hair, clothing, and gloves away from moving parts.** Loose clothes, jewellery or long hair can be caught in moving parts.
16. **If devices are provided for the connection of dust extraction and collection facilities, ensure these are connected and properly used.** Use of dust collection can reduce dust-related hazards.
25. **Use power tools only with specifically designed battery packs.** Use of any other battery packs may create a risk of injury and fire.
26. **When battery pack is not in use, keep it away from other metal objects, like paper clips, coins, keys, nails, screws or other small metal objects, that can make a connection from one terminal to another.** Shorting the battery terminals together may cause burns or a fire.
27. **Under abusive conditions, liquid may be ejected from the battery; avoid contact. If contact accidentally occurs, flush with water. If liquid contacts eyes, additionally seek medical help.** Liquid ejected from the battery may cause irritation or burns.

Service

28. **Have your power tool serviced by a qualified repair person using only identical replacement parts.** This will ensure that the safety of the power tool is maintained.
29. **Follow instruction for lubricating and changing accessories.**
30. **Keep handles dry, clean and free from oil and grease.**

Cordless Hedge Trimmer Safety Warnings

Power tool use and care

17. **Do not force the power tool. Use the correct power tool for your application.** The correct power tool will do the job better and safer at the rate for which it was designed.
18. **Do not use the power tool if the switch does not turn it on and off.** Any power tool that cannot be controlled with the switch is dangerous and must be repaired.
19. **Disconnect the plug from the power source and/or the battery pack from the power tool before making any adjustments, changing accessories, or storing power tools.** Such preventive safety measures reduce the risk of starting the power tool accidentally.
20. **Store idle power tools out of the reach of children and do not allow persons unfamiliar with the power tool or these instructions to operate the power tool.** Power tools are dangerous in the hands of untrained users.
21. **Maintain power tools. Check for misalignment or binding of moving parts, breakage of parts and any other condition that may affect the power tool's operation. If damaged, have the power tool repaired before use.** Many accidents are caused by poorly maintained power tools.
22. **Keep cutting tools sharp and clean.** Properly maintained cutting tools with sharp cutting edges are less likely to bind and are easier to control.
23. **Use the power tool, accessories and tool bits etc. in accordance with these instructions, taking into account the working conditions and the work to be performed.** Use of the power tool for operations different from those intended could result in a hazardous situation.

Battery tool use and care

24. **Recharge only with the charger specified by the manufacturer.** A charger that is suitable for one type of battery pack may create a risk of fire when used with another battery pack.

1. **Keep all parts of the body away from the cutter blade. Do not remove cut material or hold material to be cut when blades are moving. Make sure the switch is off when clearing jammed material. Blades coast after turn off.** A moment of inattention while operating the hedge trimmer may result in serious personal injury.
2. **Carry the hedge trimmer by the handle with the cutter blade stopped.** Proper handling of the hedge trimmer will reduce possible personal injury from the cutter blades.
3. **Hold the power tool by insulated gripping surfaces only, because the cutter blade may contact hidden wiring.** Cutter blades contacting a "live" wire may make exposed metal parts of the power tool "live" and could give the operator an electric shock.
4. **DANGER - Keep hands away from blade.** Contact with blade will result in serious personal injury.
5. **Do not use the hedge trimmer in the rain or in wet or very damp conditions.** The electric motor is not waterproof.
6. **First-time users should have an experienced hedge trimmer user show them how to use the trimmer.**
7. **The hedge trimmer must not be used by children or young persons under 18 years of age.** Young persons over 16 years of age may be exempted from this restriction if they are undergoing training under the supervision of an expert.
8. **Use the hedge trimmer only if you are in good physical condition.** If you are tired, your attention will be reduced. Be especially careful at the end of a working day. Perform all work calmly and carefully. The user is responsible for all damages to third parties.
9. **Never use the trimmer when under the influence of alcohol, drugs or medication.**

10. **Work gloves of stout leather are part of the basic equipment of the hedge trimmer and must always be worn when working with it. Also wear sturdy shoes with anti-skid soles.**
11. **Before starting work check to make sure that the trimmer is in good and safe working order. Ensure guards are fitted properly. The hedge trimmer must not be used unless fully assembled.**
12. **Make sure you have a secure footing before starting operation.**
13. **Hold the tool firmly when using the tool.**
14. **Do not operate the tool at no-load unnecessarily.**
15. **Immediately switch off the motor and remove the battery cartridge if the cutter should come into contact with a fence or other hard object. Check the cutter for damage, and if damaged repair immediately.**
16. **Before checking the cutter, taking care of faults, or removing material caught in the cutter, always switch off the trimmer and remove the battery cartridge.**
17. **Switch off the trimmer and remove the battery cartridge before doing any maintenance work.**
18. **When moving the hedge trimmer to another location, including during work, always remove the battery cartridge and put the blade cover on the cutter blades. Never carry or transport the trimmer with the cutter running. Never grasp the cutter with your hands.**
19. **Clean the hedge trimmer and especially the cutter after use, and before putting the trimmer into storage for extended periods. Lightly oil the cutter and put on the cover. The cover supplied with the unit can be hung on the wall, providing a safe and practical way to store the hedge trimmer.**
20. **Store the hedge trimmer with the cover on, in a dry room. Keep it out of reach of children. Never store the trimmer outdoors.**
21. **Never point the shear blades to yourself or others.**
22. **If the blades stop moving due to the stuck of foreign objects between the blades during operation, switch off the tool and remove the battery cartridge, and then remove the foreign objects using tools such as pliers. Removing the foreign objects by hand may cause an injury for the reason that the blades may move in reaction to removing the foreign objects.**
23. **Avoid dangerous environment. Don't use the tool in damp or wet locations or expose it to rain. Water entering the tool will increase the risk of electric shock.**
24. **Do not dispose of the battery(ies) in a fire. The cell may explode. Check with local codes for possible special disposal instructions.**
25. **Do not open or mutilate the battery(ies). Released electrolyte is corrosive and may cause damage to the eyes or skin. It may be toxic if swallowed.**
26. **Do not charge battery in rain, or in wet locations.**

27. **Check the hedges and bushes for foreign objects, such as wire fences or hidden wiring before operating the tool.**

SAVE THESE INSTRUCTIONS.

⚠WARNING: DO NOT let comfort or familiarity with product (gained from repeated use) replace strict adherence to safety rules for the subject product. MISUSE or failure to follow the safety rules stated in this instruction manual may cause serious personal injury.

⚠WARNING: Use of this product can create dust containing chemicals which may cause respiratory or other illnesses.

Some examples of these chemicals are compounds found in pesticides, insecticides, fertilizers and herbicides.

Your risk from these exposures varies, depending on how often you do this type of work. To reduce your exposure to these chemicals: work in a well ventilated area, and work with approved safety equipment, such as those dust masks that are specially designed to filter out microscopic particles.

Symbols

The followings show the symbols used for tool.

V	volts
— ---	direct current
n.	no load speed
... /min r /min	revolutions or reciprocation per minute

Important safety instructions for battery cartridge

1. **Before using battery cartridge, read all instructions and cautionary markings on (1) battery charger, (2) battery, and (3) product using battery.**
2. **Do not disassemble or tamper with the battery cartridge. It may result in a fire, excessive heat, or explosion.**
3. **If operating time has become excessively shorter, stop operating immediately. It may result in a risk of overheating, possible burns and even an explosion.**
4. **If electrolyte gets into your eyes, rinse them out with clear water and seek medical attention right away. It may result in loss of your eyesight.**
5. **Do not short the battery cartridge:**
 - (1) **Do not touch the terminals with any conductive material.**
 - (2) **Avoid storing battery cartridge in a container with other metal objects such as nails, coins, etc.**
 - (3) **Do not expose battery cartridge to water or rain.**

A battery short can cause a large current flow, overheating, possible burns and even a breakdown.

6. Do not store and use the tool and battery cartridge in locations where the temperature may reach or exceed 50 °C (122 °F).
7. Do not incinerate the battery cartridge even if it is severely damaged or is completely worn out. The battery cartridge can explode in a fire.
8. Do not nail, cut, crush, throw, drop the battery cartridge, or hit against a hard object to the battery cartridge. Such conduct may result in a fire, excessive heat, or explosion.
9. Do not use a damaged battery.
10. The contained lithium-ion batteries are subject to the Dangerous Goods Legislation requirements.

For commercial transports e.g. by third parties, forwarding agents, special requirement on packaging and labeling must be observed.

For preparation of the item being shipped, consulting an expert for hazardous material is required. Please also observe possibly more detailed national regulations.

Tap or mask off open contacts and pack up the battery in such a manner that it cannot move around in the packaging.

11. When disposing of the battery cartridge, remove it from the tool and dispose of it in a safe place. Follow your local regulations relating to disposal of battery.
12. Use the batteries only with the products specified by Makita. Installing the batteries to non-compliant products may result in a fire, excessive heat, explosion, or leak of electrolyte.
13. If the tool is not used for a long period of time, the battery must be removed from the tool.
14. During and after use, the battery cartridge may take on heat which can cause burns or low temperature burns. Pay attention to the handling of hot battery cartridges.
15. Do not touch the terminal of the tool immediately after use as it may get hot enough to cause burns.
16. Do not allow chips, dust, or soil stuck into the terminals, holes, and grooves of the battery cartridge. It may result in poor performance or breakdown of the tool or battery cartridge.
17. Unless the tool supports the use near high-voltage electrical power lines, do not use the battery cartridge near high-voltage electrical power lines. It may result in a malfunction or breakdown of the tool or battery cartridge.
18. Keep the battery away from children.

SAVE THESE INSTRUCTIONS.

CAUTION: Only use genuine Makita batteries.

Use of non-genuine Makita batteries, or batteries that have been altered, may result in the battery bursting causing fires, personal injury and damage. It will also void the Makita warranty for the Makita tool and charger.

Tips for maintaining maximum battery life

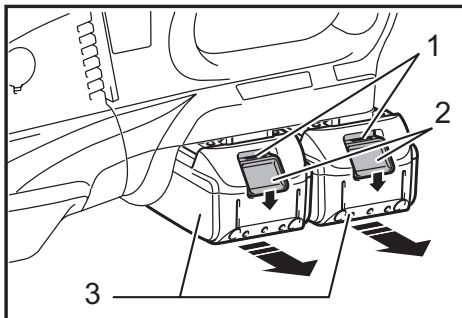
1. Charge the battery cartridge before completely discharged. Always stop tool operation and charge the battery cartridge when you notice less tool power.
2. Never recharge a fully charged battery cartridge. Overcharging shortens the battery service life.
3. Charge the battery cartridge with room temperature at 10 °C - 40 °C (50 °F - 104 °F). Let a hot battery cartridge cool down before charging it.
4. When not using the battery cartridge, remove it from the tool or the charger.
5. Charge the battery cartridge if you do not use it for a long period (more than six months).

FUNCTIONAL DESCRIPTION

CAUTION:

- Always be sure that the tool is switched off and the battery cartridge is removed before adjusting or checking function on the tool.

Installing or removing battery cartridge



► 1. Red indicator 2. Button 3. Battery cartridge

CAUTION:

- Always switch off the tool before installing or removing of the battery cartridge.
- **Hold the tool and the battery cartridge firmly when installing or removing battery cartridge.** Failure to hold the tool and the battery cartridge firmly may cause them to slip off your hands and result in damage to the tool and battery cartridge and a personal injury.

To remove the battery cartridge, slide it from the tool while sliding the button on the front of the cartridge. To install the battery cartridge, align the tongue on the battery cartridge with the groove in the housing and slip it into place. Insert it all the way until it locks in place with a little click. If you can see the red indicator on the upper side of the button, it is not locked completely.

CAUTION:

- Always install the battery cartridge fully until the red indicator cannot be seen. If not, it may accidentally fall out of the tool, causing injury to you or someone around you.
- Do not install the battery cartridge forcibly. If the cartridge does not slide in easily, it is not being inserted correctly.

NOTE:

- The tool does not work with only one battery cartridge.

Tool/ battery protection system

The tool is equipped with a tool/battery protection system. This system automatically cuts off power to the motor to extend tool and battery life.

The tool will automatically stop during operation if the tool or battery are placed under one of the following conditions. In some conditions, the indicators light up.

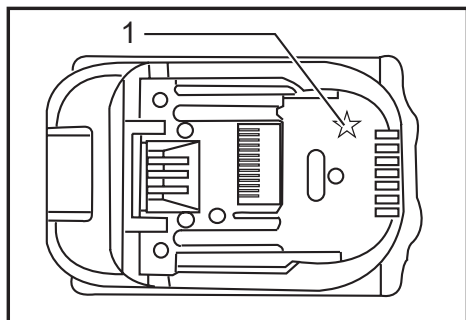
Overload protection

When the tool is operated in a manner that causes it to draw an abnormally high current, the tool automatically stops without any indication. In this situation, turn the tool off and stop the application that caused the tool to become overloaded. Then turn the tool on to restart.

Overheat protection for tool/ battery

When the tool/ battery is overheated, the tool stops automatically without any indication. The tool does not start even if pulling the switch trigger. In this situation, let the tool/ battery cool before turning the tool on again.

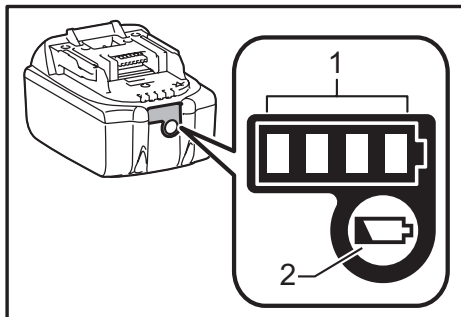
NOTE: The battery overheat protection works only with a battery cartridge with a star marking.



► 1. Star marking

Indicating the remaining battery capacity

(Only for battery cartridges with "B" at the end of the model number.)



► 1. Indicator lamps 2. CHECK button

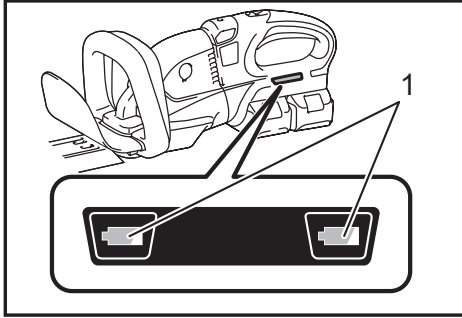
Press the check button on the battery cartridge to indicate the remaining battery capacity. The indicator lamps light up for few seconds.

Indicator lamps			Remaining capacity
Lighted	Off	Blinking	
■ ■ ■ ■			75% to 100%
■ ■ ■ □			50% to 75%
■ ■ □ □			25% to 50%
■ □ □ □			0% to 25%
▣ □ □ □			Charge the battery.
■ □ □ □	↑	↓	The battery may have malfunctioned.

NOTE:

- Depending on the conditions of use and the ambient temperature, the indication may differ slightly from the actual capacity.

Overdischarge protection



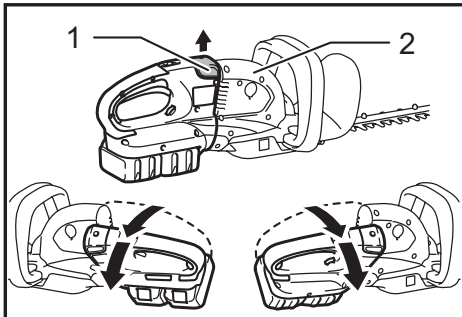
► 1. Battery indicator

When the remaining battery capacity gets low, the battery indicator blinks on the applicable battery side. By further use, the tool stops and the battery indicator lights up about 10 seconds. In this situation, charge the battery cartridge.

Handle mounting positions

⚠ CAUTION:

- Always make sure that the handle is locked in the desired position before operation.



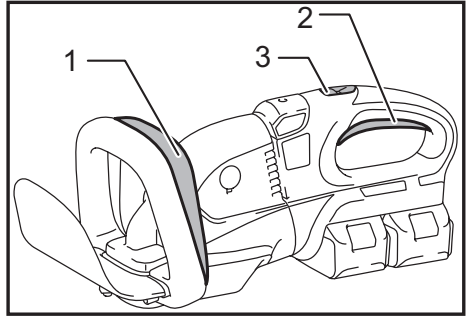
► 1. Knob 2. Housing

Depending on the operations, you can set the angle of the handle either 45° or 90° position on left or right. To turn the handle, pull the knob and turn the handle as shown in the figure. The handle is locked in 45° position. To turn the handle to 90° position, pull the knob again and turn the handle more.

Switch action

⚠ CAUTION:

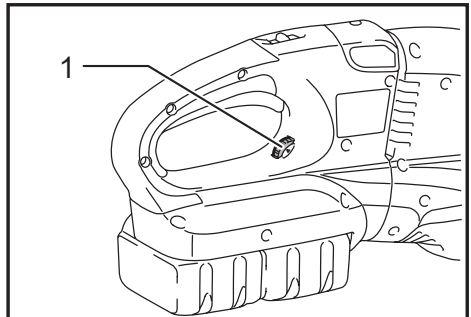
- Before inserting the battery cartridge into the tool, always check to see that the switch trigger actuates properly and returns to the "OFF" position when released.



► 1. Switch trigger B 2. Switch trigger A 3. Lock-off button

For your safety, this tool has a dual switching system. To turn on the tool, press the lock-off button and press the switch trigger A and B. To turn off the switch, release either one of the switch triggers. The tool only starts when pulling the both switch triggers.

Speed change



► 1. Adjusting dial

The strokes per minute can be adjusted just by turning the adjusting dial. This can be done even while the tool is running. The dial is marked 1 (lowest speed) to 6 (full speed). Refer to the table below for the relationship between the number settings on the adjusting dial and the strokes per minute.

Number on adjusting dial	Strokes per minute (/min)
6	1,800
5	1,750
4	1,650
3	1,500
2	1,300
1	1,000

⚠ CAUTION:

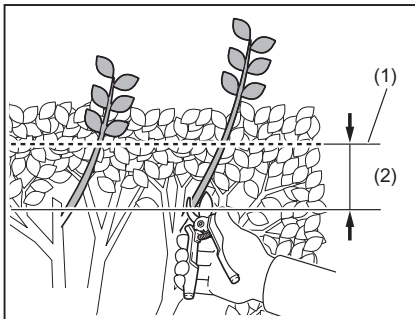
- The speed adjusting dial can be turned only as far as 6 and back to 1. Do not force it past 6 or 1, or the speed adjusting function may no longer work.
- The strokes per minute vary by the conditions of battery cartridge and shear blades.

OPERATION

⚠ CAUTION:

- Be careful not to accidentally contact a metal fence or other hard objects while trimming. The blade will break and may cause serious injury.
- Overreaching with a hedge trimmer, particularly from a ladder, is extremely dangerous. Do not work from anything wobbly or infirm.

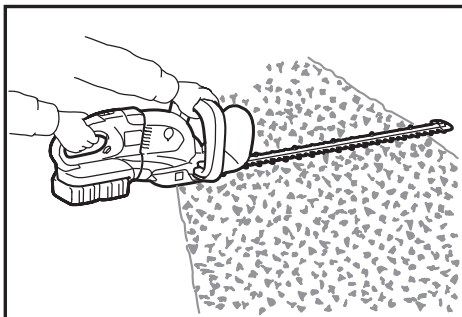
NOTICE: Do not attempt to cut branches thicker than 10 mm (3/8") in diameter with the tool. Cut branches to 10 cm (4") lower than the cutting height using branch cutters before using the tool.



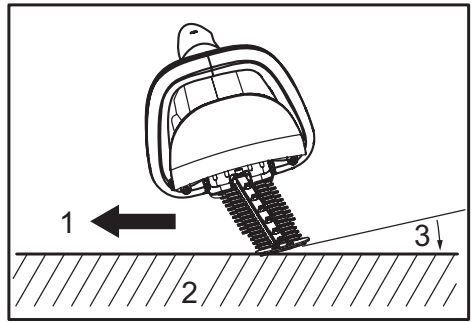
► (1) Cutting height (2) 10 cm (4")

⚠ CAUTION:

- Do not cut off dead trees or similar hard objects. Failure to do so may damage the tool.

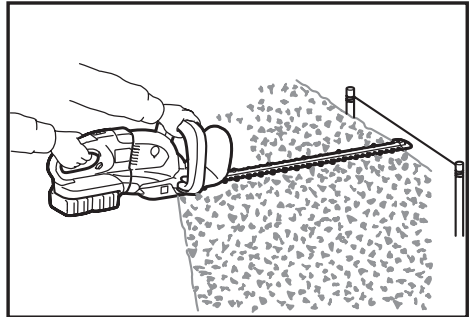


Hold the trimmer with both hands and pull the switch trigger A or B and then move it in front of your body.

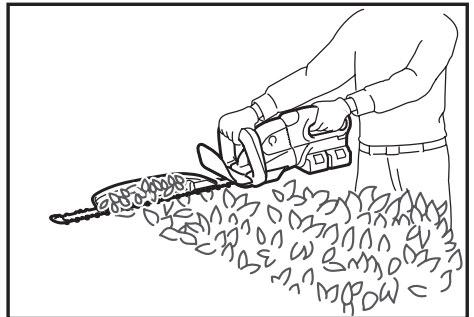


► 1. Trimming direction 2. Hedge surface to be trimmed 3. Tilt the blades.

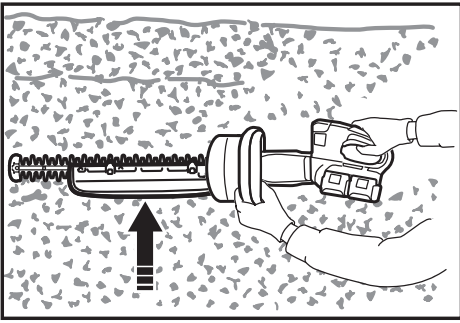
As a basic operation, tilt the blades towards the trimming direction and move it calmly and slowly at the speed rate of 3 - 4 seconds per meter.



To cut a hedge top evenly, it helps to tie a string at the desired hedge height and to trim along it, using it as a reference line.

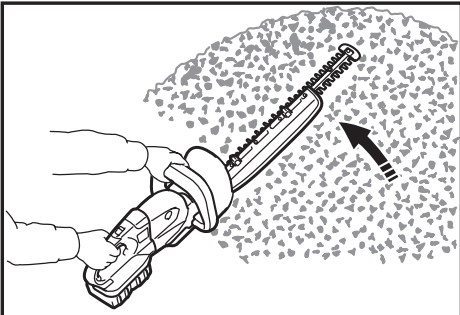


Attaching the chip receiver (optional accessory) on the tool when trimming the hedge straight can avoid cut off leaves' being thrown away.



Rotate the handle for your easy handling before operation. Refer to the section titled "Handle mounting position".

To cut a hedge side evenly, it helps to cut from the bottom upwards.



Trim boxwood or rhododendron from the base toward the top for a nice appearance and good job.

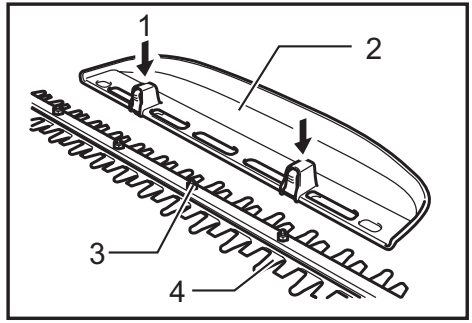
Installing or removing chip receiver (optional accessory)

CAUTION:

- Always be sure that the tool is switched off and the battery cartridge is removed before installing or removing chip receiver.

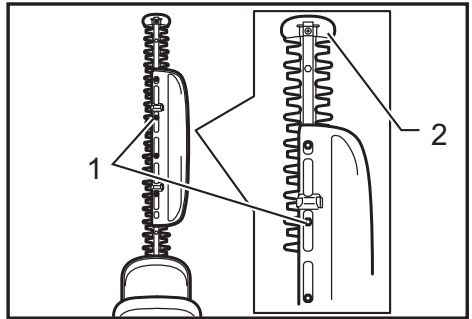
NOTE:

- When replacing the chip receiver, always wear gloves so that hands and face does not directly contact the blade. Failure to do so may cause personal injury.
- Always be sure to remove the blade cover before installing the chip receiver.
- The chip receiver receives cut-off leaves and alleviates collecting thrown-away leaves. This can be installed on either side of the tool.



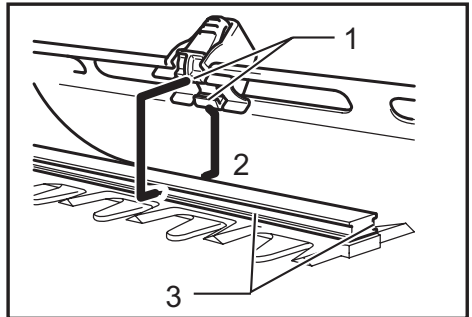
► 1. Press 2. Chip receiver 3. Nut 4. Shear blade

Press the chip receiver on the shear blades so that its slits overlap with the nuts on the shear blades. At this time, make sure that the chip receiver does not contact branch catcher at the top of the shear blades.



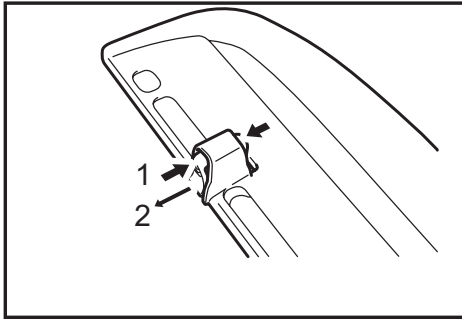
► 1. Nut 2. Branch catcher

At this time, the chip receiver needs to be installed so that its hooks fit into grooves in the shear blade unit.



► 1. Hooks 2. Fit the hooks into groove 3. Grooves

To remove the chip receiver, press its lever on both sides so that the hooks are unlocked.



► 1. Press the levers on both sides 2. Unlock the hooks

⚠ CAUTION:

- The blade cover cannot be installed on the tool with the chip receiver being installed. Before carrying or storing, uninstall the chip receiver and then install the blade cover to avoid blade exposure.

NOTE:

- Check the chip receiver for secure installment before use.
- Never try to uninstall the chip receiver by an excessive force with its hooks locked in the blade unit grooves. Using the excessive force may damage it.

MAINTENANCE

⚠ CAUTION:

- Always be sure that the tool is switched off and the battery cartridge is removed before attempting to perform inspection or maintenance.
- Never use gasoline, benzine, thinner, alcohol or the like. Discoloration, deformation or cracks may result.

Cleaning the tool

Clean out the tool by wiping off dust with a dry or soap-dipped rag.

Blade maintenance

Smear the blade before and once per hour during operation using machine oil or similars.

NOTE:

- Before smearing the blade, remove the chip receiver.

After operation, remove dust from both sides of the blade with wired brush, wipe it off with a rag and then apply enough low-viscosity oil, such as machine oil etc. and spray-type lubricating oil.

⚠ CAUTION:

- Do not wash the blades in water. Failure to do so may cause rust or damage on the tool.

NOTICE: If the parts other than the shear blades such as the crank are worn out, ask Makita Authorized Service Centers for parts replacement or repairs.

Removing or installing shear blade

⚠ CAUTION:

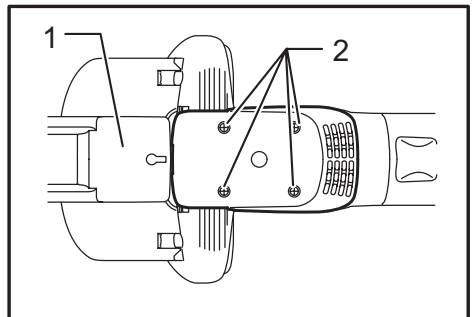
- Before removing or installing shear blade, always be sure that the tool is switched off and the battery cartridge is removed.
- When replacing the shear blade, always wear gloves without removing blade cover so that hands and face does not directly contact the blade. Failure to do so may cause personal injury.

NOTE:

- Do not wipe off grease from the gear and crank. Failure to do so may cause damage to the tool.
- For specific way of removing and installing shear blades refer to the reverse of a package for accessory shear blades.

Removing the shear blades

Reverse the tool and loosen four screws.

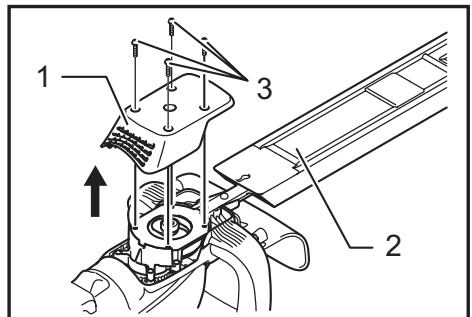


► 1. Blade cover 2. Screws

NOTE:

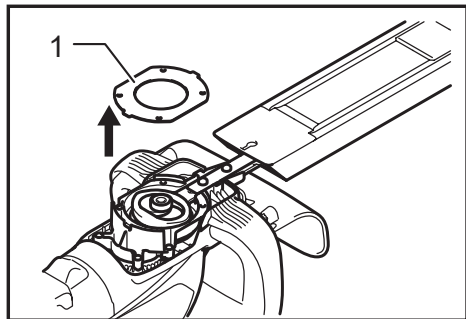
- Be careful not to get your hands dirty as grease is applied in the shear blade driving area.

Remove the under cover.



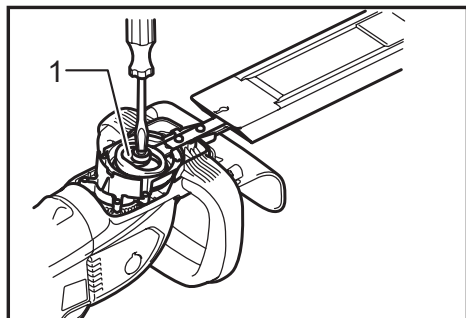
► 1. Under cover 2. Blade cover 3. Screws

Remove the plate.



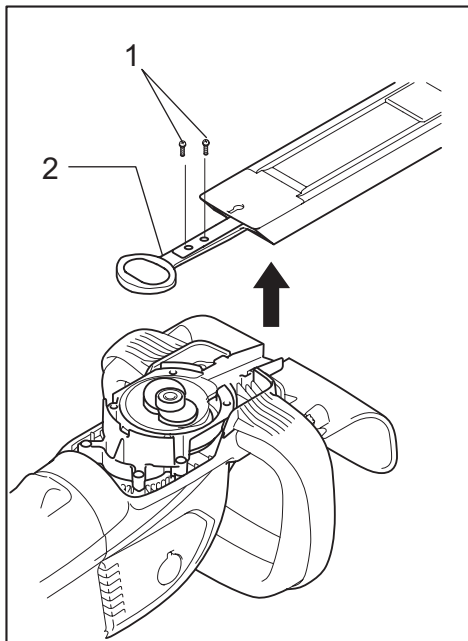
► 1. Plate

Set the crank at the angle as shown in the figure with a slotted screwdriver.



► 1. Crank

Remove two screws from the shear blades and the shear blade unit will be taken out.



► 1. Screws 2. Shear blade

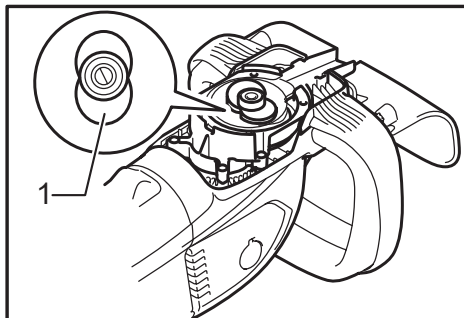
▲ CAUTION:

- Return the gear to the original position in such a manner as it was installed if it should be taken away by mistake.

Installing the shear blades

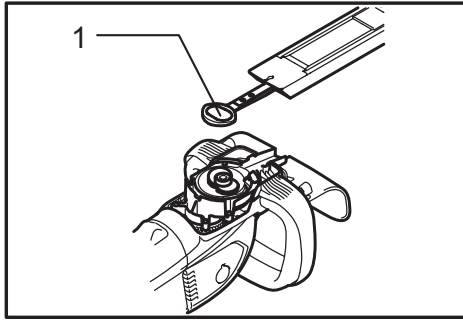
Prepare 4 removed screws (For under cover), 2 screws (For shear blade), plate, under cover, and new shear blades.

Adjust the crank position as shown in the figure. At this time, apply some grease provided with new shear blades to the periphery of the crank.



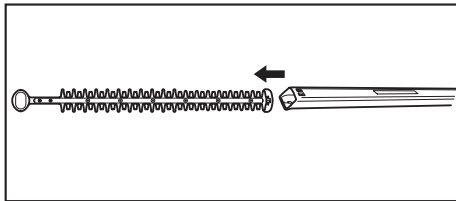
► 1. Crank

Overlap the oval hole in the upper blade with that in the lower one.

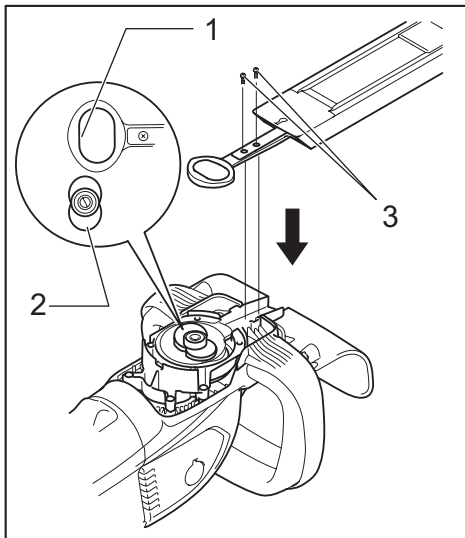


► 1. Oval hole of shear blade

Take out the blade cover from the old shear blades and fit it onto the new ones for easy handling during the replacement of blades.

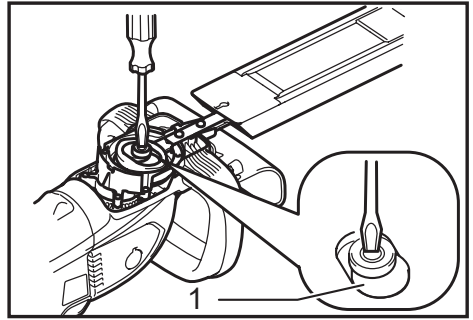


Place the new shear blades on the tool so that the oval holes in the shear blades fit onto the crank. Overlap the holes in the shear blades with the screw holes in the tool and then secure them with two screws.



► 1. Oval hole of shear blade 2. Crank 3. Screws

Check the crank for smooth turn with a slotted screwdriver.



► 1. Crank

Install the plate, under cover on the tool. Tighten the screw firmly.

NOTE:

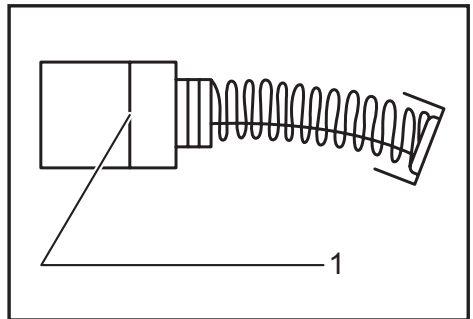
- There is no distinction between the top and bottom of the plate.

Remove the blade cover and then turn on the tool to check it for proper movement.

NOTE:

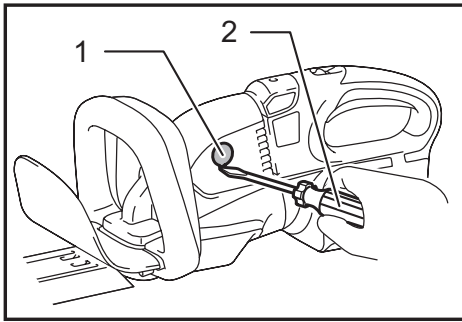
- When the shear blades does not operate properly, there is a poor fit between the blades and crank. Redo from the beginning.

Replacing carbon brushes



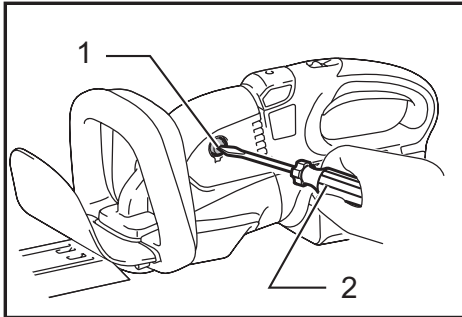
► 1. Limit mark

Remove and check the carbon brushes regularly. Replace when they wear down to the limit mark. Keep the carbon brushes clean and free to slip in the holders. Both carbon brushes should be replaced at the same time. Use only identical carbon brushes.



► 1. Holder cap cover 2. Slotted screwdriver

Insert the top end of slotted screwdriver into the notch in the tool and remove the holder cap cover by lifting it up.

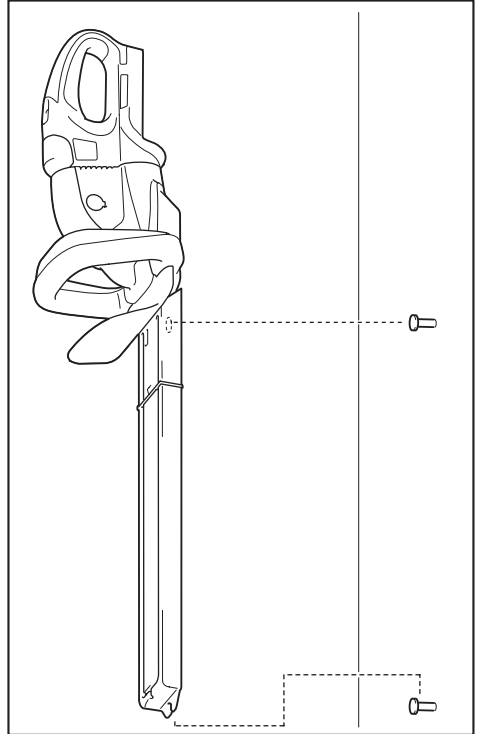


► 1. Brush holder cap 2. Slotted screwdriver

Use a slotted screwdriver to remove the brush holder caps. Take out the worn carbon brushes, insert the new ones and secure the brush holder caps. Reinstall the holder cap cover on the tool.

Storage

The hook hole in the bottom of the blade cover is convenient for hanging the tool from a nail or screw on the wall.



Remove the battery cartridge and put the blade cover on the shear blades so that the blades are not exposed. Store the tool out of the reach of children carefully. Store the tool in the place not exposed to water and rain.

To maintain product SAFETY and RELIABILITY, repairs, any other maintenance or adjustment should be performed by Makita Authorized or Factory Service Centers, always using Makita replacement parts.

OPTIONAL ACCESSORIES

⚠ CAUTION:

- These accessories or attachments are recommended for use with your Makita tool specified in this manual. The use of any other accessories or attachments might present a risk of injury to persons. Only use accessory or attachment for its stated purpose.

If you need any assistance for more details regarding these accessories, ask your local Makita Service Center.

- Blade cover
- Shear blade assembly
- Makita genuine battery and charger
- Chip receiver

NOTE:

- Some items in the list may be included in the tool package as standard accessories. They may differ from country to country.

MAKITA LIMITED WARRANTY

Please refer to the annexed warranty sheet for the most current warranty terms applicable to this product. If annexed warranty sheet is not available, refer to the warranty details set forth at below website for your respective country.

United States of America: www.makitatools.com

Canada: www.makita.ca

Other countries: www.makita.com

SPÉCIFICATIONS

Modèle	DUH551	DUH651
Longueur de la lame	550 mm (21-5/8")	650 mm (25-1/2")
Nombre d'impacts par minute (RPM)	1 000 /min - 1 800 /min	
Longueur totale	1 065 mm (42")	1 135 mm (44-3/4")
Tension nominale	C.C. 36 V	
Poids net	4,6 - 5,3 kg (10,2 - 11,6 lbs)	4,7 - 5,5 kg (10,3 - 12,0 lbs)

- Étant donné l'évolution constante de notre programme de recherche et développement, les spécifications contenues dans ce manuel sont sujettes à modification sans préavis.
- Les spécifications peuvent varier d'un pays à l'autre.
- Le poids peut varier selon les accessoires, y compris la batterie. La plus légère et la plus lourde combinaisons, selon la procédure EPTA 01/2014, sont indiquées dans le tableau.

Batteries et chargeurs applicables

Batterie	BL1815N / BL1820B / BL1830 / BL1830B / BL1840B / BL1850B / BL1860B
Chargeur	DC18RC / DC18RD / DC18RE / DC18SD / DC18SE / DC18SF / DC18SH

- Suivant la région où vous habitez, il se peut que certaines des batteries et certains des chargeurs énumérés ci-dessus ne soient pas disponibles.

⚠ MISE EN GARDE : Utilisez exclusivement les batteries et chargeurs énumérés ci-dessus. L'utilisation de toute autre batterie ou tout autre chargeur peut entraîner une blessure et/ou un incendie.

Source d'alimentation connectée au cordon recommandée

Adaptateur de batterie	BAP182
Support d'alimentation portable	PDC01 / PDC1200

- Suivant la région où vous habitez, il se peut que la ou les sources d'alimentation connectées au cordon énumérées ci-dessus ne soient pas disponibles.
- Avant d'utiliser la source d'alimentation connectée au cordon, lisez les instructions et indications de mise en garde qui se trouvent sur celle-ci.

Consignes de sécurité générales pour outils électriques

⚠ MISE EN GARDE Veuillez lire toutes les mises en garde de sécurité et toutes les instructions. L'ignorance des mises en garde et des instructions comporte un risque de choc électrique, d'incendie et/ou de blessure grave.

Conservez toutes les mises en garde et instructions pour référence future.

Le terme « outil électrique » qui figure dans les avertissements fait référence à un outil électrique branché sur une prise de courant (par un cordon d'alimentation) ou alimenté par batterie (sans fil).

Sécurité de la zone de travail

1. **Maintenez la zone de travail propre et bien éclairée.** Les zones de travail encombrées ou sombres ouvrent grande la porte aux accidents.

2. **N'utilisez pas les outils électriques dans les atmosphères explosives, par exemple en présence de liquides, gaz ou poussières inflammables.** Les outils électriques produisent des étincelles au contact desquelles la poussière ou les vapeurs peuvent s'enflammer.
3. **Assurez-vous qu'aucun enfant ou curieux ne s'approche pendant que vous utilisez un outil électrique.** Vous risquez de perdre la maîtrise de l'outil si votre attention est détournée.

Sécurité en matière d'électricité

4. **Les fiches d'outil électrique sont conçues pour s'adapter parfaitement aux prises de courant. Ne modifiez jamais la fiche de quelque façon que ce soit. N'utilisez aucun adaptateur de fiche sur les outils électriques avec mise à la terre.** En ne modifiant pas les fiches et en les insérant dans des prises de courant pour lesquelles elles ont été conçues vous réduirez les risques de choc électrique.
5. **Évitez tout contact corporel avec les surfaces mises à la terre, telles que les tuyaux, radiateurs, cuisinières et réfrigérateurs.** Le risque de choc électrique est plus élevé si votre corps se trouve mis à la terre.

6. **N'exposez pas les outils électriques à la pluie ou à l'eau.** La présence d'eau dans un outil électrique augmente le risque de choc électrique.
7. **Ne maltraitez pas le cordon. N'utilisez jamais le cordon pour transporter, tirer ou débrancher l'outil électrique. Maintenez le cordon à l'écart des sources de chaleur, de l'huile, des objets à bords tranchants et des pièces en mouvement.** Le risque de choc électrique est plus élevé lorsque les cordons sont endommagés ou enchevêtrés.
8. **Lorsque vous utilisez un outil électrique à l'extérieur, utilisez un cordon prolongateur prévu à cette fin.** Les risques de choc électrique sont moindres lorsqu'un cordon conçu pour l'extérieur est utilisé.
9. **Si vous devez utiliser un outil électrique dans un endroit humide, utilisez une source d'alimentation protégée par un disjoncteur de fuite à la terre.** L'utilisation d'un disjoncteur de fuite à la terre réduit le risque de choc électrique.

Sécurité personnelle

10. **Restez alerte, attentif à vos mouvements et faites preuve de bon sens lorsque vous utilisez un outil électrique. Évitez d'utiliser un outil électrique si vous êtes fatigué ou si vous avez pris une drogue, de l'alcool ou un médicament.** Un moment d'inattention pendant l'utilisation d'un outil électrique peut entraîner une grave blessure.
11. **Portez des dispositifs de protection personnelle. Portez toujours un protecteur pour la vue.** Les risques de blessure seront moins élevés si vous utilisez des dispositifs de protection tels qu'un masque antipoussières, des chaussures à semelle antidérapante, une coiffure résistante ou une protection d'oreilles.
12. **Évitez les démarrages accidentels. Assurez-vous que l'interrupteur soit en position d'arrêt avant de brancher l'outil à la prise électrique et/ou au bloc-piles, avant de prendre ou de transporter l'outil.** Vous ouvrez la porte aux accidents si vous transportez les outils électriques avec le doigt sur l'interrupteur ou si vous les branchez alors que l'interrupteur est en position de marche.
13. **Retirez toute clé de réglage ou de serrage avant de mettre l'outil sous tension.** Toute clé laissée en place sur une pièce rotative de l'outil électrique peut entraîner une blessure.
14. **Maintenez une bonne position. Assurez-vous d'une bonne prise au sol et d'une bonne position d'équilibre en tout temps.** Cela vous permettra d'avoir une meilleure maîtrise de l'outil dans les situations imprévues.
15. **Portez des vêtements adéquats. Ne portez ni vêtements amples ni bijoux. Vous devez maintenir cheveux, vêtements et gants à l'écart des pièces en mouvement.** Les pièces en mouvement peuvent happer les vêtements amples, les bijoux et les cheveux longs.
16. **Si des accessoires sont fournis pour raccorder un appareil d'aspiration et de collecte de la poussière, assurez-vous qu'ils sont correctement raccordés et qu'ils sont utilisés de manière adéquate.** L'utilisation d'un appareil d'aspiration permet de réduire les risques liés à la présence de poussière dans l'air.

Utilisation et entretien des outils électriques

17. **Ne forcez pas l'outil électrique. Utilisez l'outil électrique adéquat suivant le type de travail à effectuer.** Si vous utilisez l'outil électrique adéquat et respectez le régime pour lequel il a été conçu, il effectuera un travail de meilleure qualité et de façon plus sécuritaire.
 18. **N'utilisez pas l'outil électrique s'il n'est pas possible de mettre sa gâchette en position de marche et d'arrêt.** Un outil électrique dont l'interrupteur est défectueux représente un danger et doit être réparé.
 19. **Débranchez la fiche de la source d'alimentation et/ou retirez le bloc-piles de l'outil électrique avant d'effectuer tout réglage, de changer un accessoire ou de ranger l'outil électrique.** De telles mesures préventives réduisent les risques de démarrage accidentel de l'outil électrique.
 20. **Après l'utilisation d'un outil électrique, rangez-le hors de portée des enfants et ne laissez aucune personne l'utiliser si elle n'est pas familiarisée avec l'outil électrique ou les présentes instructions d'utilisation.** Les outils électriques représentent un danger entre les mains de personnes qui n'en connaissent pas le mode d'utilisation.
 21. **Veillez à l'entretien des outils électriques. Assurez-vous que les pièces mobiles ne sont pas désalignées ou coincées, qu'aucune pièce n'est cassée et que l'outil électrique n'a subi aucun dommage affectant son bon fonctionnement. Le cas échéant, faites réparer l'outil électrique avant de l'utiliser.** De nombreux accidents sont causés par des outils électriques mal entretenus.
 22. **Maintenez les outils tranchants bien aiguisés et propres.** Un outil tranchant dont l'entretien est effectué correctement et dont les bords sont bien aiguisés risquera moins de se coincer et sera plus facile à maîtriser.
 23. **Utilisez l'outil électrique, ses accessoires, ses embouts, etc., en respectant les présentes instructions, en tenant compte des conditions de travail et du type de travail à effectuer.** L'utilisation d'un outil électrique à des fins autres que celles prévues peut entraîner une situation dangereuse.
- #### Utilisation et entretien des outils alimentés par batterie
24. **Pour recharger, utilisez uniquement le chargeur spécifié par le fabricant.** L'utilisation d'un chargeur conçu pour un type donné de bloc-piles comporte un risque d'incendie lorsqu'il est utilisé avec un autre type de bloc-piles.
 25. **N'utilisez un outil électrique qu'avec le bloc-piles conçu spécifiquement pour cet outil.** Il y a un risque de blessure ou d'incendie si un autre bloc-piles est utilisé.
 26. **Lorsque vous n'utilisez pas le bloc-piles, rangez-le à l'écart des objets métalliques tels que trombones, pièces de monnaie, clés, clous, vis ou autres petits objets métalliques qui risquent d'établir une connexion entre les bornes.** La mise en court-circuit des bornes de batterie peut causer des brûlures ou un incendie.

27. **Dans des conditions d'utilisation inadéquates de la batterie, il peut y avoir fuite d'électrolyte; évitez tout contact avec ce liquide. En cas de contact accidentel, rincez avec beaucoup d'eau. Si le liquide pénètre dans vos yeux, il faut aussi consulter un médecin. L'électrolyte qui s'échappe de la batterie peut causer des irritations ou des brûlures.**
28. **Faites réparer votre outil électrique par un réparateur qualifié qui utilise des pièces de rechange identiques aux pièces d'origine. Le maintien de la sûreté de l'outil électrique sera ainsi assuré.**
29. **Suivez les instructions de lubrification et de changement des accessoires.**
30. **Maintenez les poignées de l'outil sèches, propres et exempts d'huile ou de graisse.**
9. **N'utilisez jamais le taille-haie lorsque vous êtes sous l'influence de l'alcool, d'une drogue ou d'un médicament.**
10. **Les gants de travail en cuir résistant font partie de l'équipement de base du taille-haie et doivent toujours être portés pendant son utilisation. Portez également des chaussures robustes à semelle antidérapante.**
11. **Avant de commencer le travail, assurez-vous que le taille-haie est sécuritaire et en bon état de marche. Assurez-vous que les gardes sont bien installés. Le taille-haie ne doit être utilisé qu'une fois complètement assemblé.**
12. **Avant de commencer le travail, assurez-vous d'une bonne prise au sol.**
13. **Tenez l'outil fermement pendant l'utilisation.**
14. **Ne faites pas inutilement tourner l'outil à vide.**
15. **Coupez immédiatement le contact et retirez la batterie si le couteau entre en contact avec une clôture ou autre objet dur. Vérifiez l'absence de dommages sur le couteau, et réparez-le immédiatement s'il est endommagé.**

Consignes de sécurité pour taille-haie sans fil

1. **Gardez toutes les parties du corps à l'écart de la lame de couteau. Pendant que les lames sont en mouvement, évitez de retirer le matériau coupé ou de tenir le matériau à couper. Les lames continuent de tourner en roue libre après la mise hors tension. Avant de retirer un matériau coincé, veillez à mettre l'interrupteur en position d'arrêt. Tout moment d'inattention pendant l'utilisation du taille-haie peut entraîner une grave blessure.**
2. **Transportez le taille-haie par sa poignée, avec la lame de couteau arrêtée. La manipulation adéquate du taille-haie réduira les risques de blessure au contact des lames de couteau.**
3. **Ne tenez l'outil électrique que par ses surfaces de prises isolées, car la lame de coupe peut toucher un câblage dissimulé. Au contact d'un fil sous tension, les lames de couteau peuvent mettre sous tension les pièces métalliques découvertes de l'outil électrique et transmettre une décharge électrique à l'utilisateur.**
4. **DANGER - Gardez les mains à l'écart de la lame. Le contact avec la lame entraînera une grave blessure.**
5. **N'utilisez pas le taille-haie sous la pluie ou dans des conditions mouillées ou très humides. Le moteur électrique n'est pas imperméable à l'eau.**
6. **Les nouveaux utilisateurs doivent se faire expliquer l'utilisation du taille-haie par un utilisateur expérimenté.**
7. **Le taille-haie ne doit pas être utilisé par les enfants ou par les jeunes de moins de 18 ans. Les jeunes de 16 ans et plus peuvent faire exception à cette restriction s'ils reçoivent une formation sous la supervision d'un expert.**
8. **Utilisez le taille-haie seulement si vous êtes en bon état physique. Si vous êtes fatigué, votre concentration sera moindre. Soyez tout spécialement prudent à la fin de la journée de travail. Effectuez le travail calmement et prudemment. L'utilisateur est responsable de tout dommage encouru par des tiers.**
16. **Avant de vérifier le couteau, d'en faire l'entretien ou d'enlever une matière coincée, éteignez toujours le taille-haie et retirez la batterie.**
17. **Avant d'effectuer tout travail d'entretien sur le taille-haie, éteignez-le et retirez la batterie.**
18. **Lorsque vous déplacez le taille-haie vers un autre emplacement, y compris pendant l'exécution du travail, retirez toujours la batterie et mettez le couvre-lames sur les lames de couteau. Ne transportez jamais le taille-haie pendant que le couteau est en mouvement. Ne saisissez jamais le couteau avec les mains.**
19. **Nettoyez le taille-haie et tout spécialement le couteau après l'utilisation, ainsi qu'avant de ranger le taille-haie pour une période prolongée. Huilez légèrement le couteau et mettez le couvercle. Le couvercle fourni avec l'appareil peut être accroché à un mur pour un rangement sécuritaire et pratique du taille-haie.**
20. **Rangez le taille-haie dans une pièce sèche avec son couvercle posé. Gardez-le hors de la portée des enfants. Ne rangez jamais le taille-haie à l'extérieur.**
21. **Ne pointez jamais les lames de cisaillement vers vous-même ou d'autres personnes.**
22. **Si les lames cessent de bouger en raison de la présence de corps étrangers entre les lames pendant l'utilisation, éteignez l'outil et retirez la batterie, puis enlevez les corps étrangers à l'aide d'une pince ou autre outil. En retirant les corps étrangers avec la main, vous risquez de vous blesser car les lames peuvent bouger lors du retrait des corps étrangers.**
23. **Évitez les environnements dangereux. N'utilisez pas l'outil dans les endroits humides ou mouillés, et ne l'exposez pas à la pluie. L'infiltration d'eau dans l'outil accroît le risque de décharge électrique.**
24. **Ne jetez pas la/les batterie(s) au feu. L'élément pourrait exploser. Vérifiez la réglementation locale pour savoir s'il existe des directives particulières sur l'élimination.**

25. N'ouvrez pas et n'endommagez pas la/les batterie(s). L'électrolyte qui s'échappe est corrosif et peut provoquer des dommages aux yeux ou à la peau. Il peut être toxique s'il est ingéré.
26. Ne chargez pas la batterie sous la pluie ou dans les emplacements humides.
27. Avant d'utiliser l'outil, assurez-vous qu'il n'y a pas de corps étrangers tels que clôtures grillagées ou câblage dissimulé dans les haies et buissons.
3. Cessez immédiatement l'utilisation si le temps de fonctionnement devient excessivement court. Il y a risque de surchauffe, de brûlures, voire d'explosion.
4. Si l'électrolyte pénètre dans vos yeux, rincez-les à l'eau claire et consultez immédiatement un médecin. Il y a risque de perte de la vue.
5. Ne court-circuitez pas la batterie :
 - (1) Ne touchez les bornes avec aucun matériau conducteur.
 - (2) Évitez de ranger la batterie dans un conteneur avec d'autres objets métalliques tels que clous, pièces de monnaie, etc.
 - (3) Évitez d'exposer la batterie à l'eau ou à la pluie.

CONSERVEZ CES INSTRUCTIONS.

⚠ MISE EN GARDE : NE vous laissez PAS tromper (au fil d'une utilisation répétée) par un sentiment d'aisance ou de familiarité avec le produit en négligeant les consignes de sécurité qui accompagnent le produit. UNE UTILISATION INCORRECTE ou le non-respect des règles de sécurité énoncées dans le présent manuel d'instructions peut provoquer des blessures graves.

⚠ MISE EN GARDE : L'utilisation de ce produit peut lever une poussière contenant des produits chimiques susceptibles d'entraîner des troubles respiratoires ou d'autres maladies.

Parmi ces produits chimiques, on trouve des composants de pesticides, insecticides, engrais et herbicides.

Les risques varient en fonction de la fréquence à laquelle vous utilisez l'outil. Pour réduire les risques liés à l'exposition à ces produits chimiques : travaillez dans une pièce bien ventilée et portez des dispositifs de sécurité homologués, tels que des masques antipoussières spécialement conçus pour filtrer les particules microscopiques.

- Un court-circuit de la batterie pourrait provoquer un fort courant, une surchauffe, parfois des brûlures et même une panne.
6. Ne rangez pas et n'utilisez pas l'outil ou la batterie dans des emplacements où la température peut atteindre ou dépasser 50 °C (122 °F).
 7. Ne jetez pas la batterie au feu même si elle est sérieusement endommagée ou complètement épuisée. La batterie peut exploser au contact du feu.
 8. Évitez de clouer, de couper, d'écraser, de lancer ou d'échapper la batterie, ou de heurter un objet dur contre la batterie. Cela peut entraîner un incendie, une chaleur excessive ou une explosion.
 9. N'utilisez pas une batterie si elle est endommagée.
 10. Les batteries lithium-ion fournies sont soumises aux exigences de la législation sur les marchandises dangereuses.

Des exigences particulières sur l'emballage et l'étiquetage doivent être respectées lors du transport commercial par des tiers, des transitaires, etc. Pour préparer la marchandise à expédier, consultez un expert en matériaux dangereux si nécessaire. Respectez aussi les éventuelles réglementations nationales plus détaillées.

Recouvrez de ruban isolant les contacts exposés, et emballez la batterie de sorte qu'elle ne puisse pas se déplacer à l'intérieur de l'emballage.

11. Lors de l'élimination de la batterie, retirez-la de l'outil et éliminez-la dans un endroit sûr. Respectez la réglementation locale concernant l'élimination de la batterie.
12. N'utilisez les batteries qu'avec les produits spécifiés par Makita. Installer les batteries sur des produits non conformes peut entraîner un incendie, une chaleur excessive, une explosion ou une fuite d'électrolyte.
13. Si l'outil reste inutilisé pour une période prolongée, la batterie doit en être retirée.
14. Pendant et après l'utilisation, la batterie peut accumuler de la chaleur, ce qui peut causer des brûlures ou des brûlures à basse température. Faites attention lors de la manipulation des batteries chaudes.

Symboles

Les symboles utilisés pour l'outil sont indiqués ci-dessous.

v	volts
—	courant continu
n_o	vitesse à vide
... /min	tours ou alternances par minute
r /min	

Consignes de sécurité importantes pour la batterie

1. Avant d'utiliser la batterie, lisez toutes les instructions et les mises en garde apposées sur (1) le chargeur de batterie, (2) la batterie et (3) le produit utilisant la batterie.
2. Ne démontez pas et ne modifiez pas la batterie. Cela peut entraîner un incendie, une chaleur excessive ou une explosion.

15. **Ne touchez pas la borne de l'outil immédiatement après l'utilisation, car elle peut être assez chaude pour causer des brûlures.**
16. **Ne laissez pas les copeaux, les poussières ou la terre se coincer dans les bornes, les trous et les rainures de la batterie.** Cela peut entraîner un fonctionnement médiocre ou une panne de l'outil ou de la batterie.
17. **À moins que l'outil ne soit compatible avec l'utilisation à proximité des lignes électriques haute tension, n'utilisez pas la batterie à proximité d'une ligne électrique haute tension.** Cela peut entraîner un dysfonctionnement ou une panne de l'outil ou de la batterie.
18. **Gardez la batterie à l'écart des enfants.**

CONSERVEZ CES INSTRUCTIONS.

ATTENTION : Utilisez exclusivement les batteries fabriquées par Makita. Les batteries autres que celles fabriquées par Makita ou les batteries modifiées peuvent exploser et causer un incendie, une blessure ou des dommages. Cela annule aussi la garantie Makita de l'outil et du chargeur Makita.

Conseils pour maintenir la durée de service maximale de la batterie

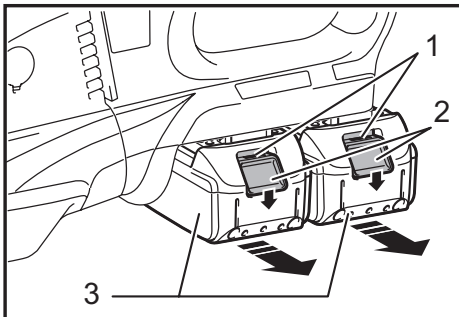
1. **Rechargez la batterie avant qu'elle ne soit complètement déchargée. Arrêtez toujours l'outil et rechargez la batterie quand vous remarquez que la puissance de l'outil diminue.**
2. **Ne rechargez jamais une batterie complètement chargée. La surcharge réduit la durée de service de la batterie.**
3. **Chargez la batterie à une température ambiante comprise entre 10 °C et 40 °C (50 °F et 104 °F). Si la batterie est chaude, laissez-la refroidir avant de la charger.**
4. **Lorsque vous n'utilisez pas la batterie, retirez-la de l'outil ou du chargeur.**
5. **Chargez la batterie si elle est restée inutilisée pendant une période prolongée (plus de six mois).**

DESCRIPTION DU FONCTIONNEMENT

ATTENTION :

- Assurez-vous toujours que l'outil est hors tension et que sa batterie est retirée avant de l'ajuster ou de vérifier son fonctionnement.

Installation ou retrait de la batterie



► 1. Indicateur rouge 2. Bouton 3. Batterie

ATTENTION :

- Mettez toujours l'appareil hors tension avant d'installer ou de retirer la batterie.
- **Tenez fermement l'outil et la batterie lors de l'installation ou du retrait de cette dernière.** Sinon, l'outil et la batterie pourraient vous glisser des mains, ce qui risque d'endommager l'outil et la batterie, ou encore de provoquer des blessures.

Pour retirer la batterie, faites-la glisser de l'outil tout en faisant glisser le bouton se trouvant à l'avant. Pour installer la batterie, alignez sa languette sur la rainure pratiquée dans le boîtier, et glissez la batterie en place. Insérez-la à fond jusqu'à ce que vous entendiez un clic. Si vous pouvez voir l'indicateur rouge situé sur le dessus du bouton, la batterie n'est pas complètement verrouillée.

ATTENTION :

- Installez toujours la batterie à fond jusqu'à ce que vous ne puissiez plus voir l'indicateur rouge. Dans le cas contraire, elle pourrait tomber de l'outil et entraîner des blessures.
- Ne forcez pas sur la batterie pour l'installer. Si la batterie ne glisse pas facilement, c'est qu'elle n'est pas insérée correctement.

NOTE :

- L'outil ne fonctionne pas lorsqu'une seule batterie est en place.

Système de protection de l'outil/de la batterie

L'outil est équipé d'un système de protection de l'outil/ de la batterie. Ce système coupe automatiquement l'alimentation du moteur pour augmenter la durée de vie de l'outil et de la batterie.

L'outil s'arrête automatiquement pendant l'utilisation lorsque l'outil ou la batterie est dans l'une des situations suivantes. Dans certaines conditions, les indicateurs s'allument.

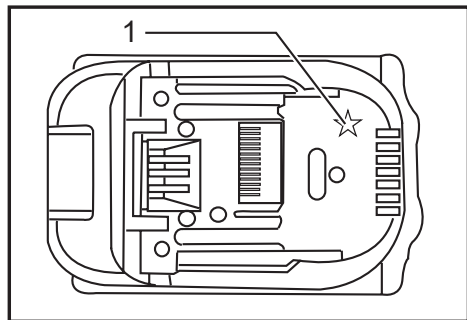
Protection contre les surcharges

Lorsque l'outil est actionné de sorte qu'il utilise un courant élevé anormal, l'outil s'arrête automatiquement sans indication. Dans cette situation, éteignez l'outil et arrêtez l'application qui a causé la surcharge de l'outil. Puis rallumez l'outil pour recommencer.

Protection contre les surchauffes pour l'outil/la batterie

Lorsque l'outil/la batterie surchauffe, l'outil s'arrête automatiquement sans aucune indication. L'outil ne démarre pas, même lorsque la gâchette est actionnée. Dans cette situation, laissez refroidir l'outil/la batterie avant de l'allumer de nouveau.

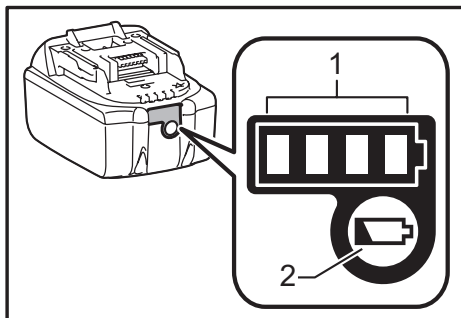
NOTE : La protection de surchauffe de la batterie fonctionne uniquement avec les batteries comportant un repère en forme d'étoile.



► 1. Étoile

Affiche la capacité restante de la batterie

(Uniquement pour les batteries dont le numéro de modèle se termine par « B ».)



► 1. Témoins 2. Bouton CHECK

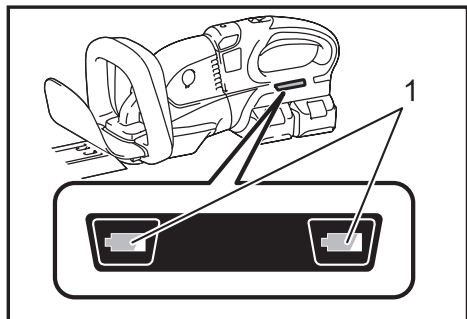
Appuyez sur le bouton de vérification sur la batterie pour afficher la capacité résiduelle de la batterie. Les témoins s'allument pendant quelques secondes.

Témoins			Capacité résiduelle
Allumé	ARRÊT	Cignotement	
■ ■ ■ ■	□ □ □ □		75 % à 100 %
■ ■ ■ □	□ □ □ □		50 % à 75 %
■ ■ □ □	□ □ □ □		25 % à 50 %
■ □ □ □	□ □ □ □		0 % à 25 %
▧ □ □ □	□ □ □ □		Chargez la batterie.
■ □ □ □	□ □ □ □		La batterie peut avoir présenté un défaut de fonctionnement.
□ □ □ ■	□ □ □ □		

NOTE :

- Selon les conditions d'utilisation et la température ambiante, il est possible que la capacité relevée soit légèrement différente par rapport à la capacité réelle.

Protection contre les décharges accélérées



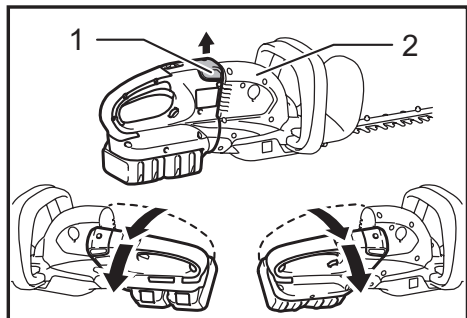
► 1. Indicateur de batterie

Lorsque la capacité restante de la batterie est faible, l'indicateur de la batterie clignote à côté de la batterie concernée. Si l'utilisation est poursuivie, l'outil s'arrête et l'indicateur de la batterie s'allume pendant environ 10 secondes. Dans cette situation, rechargez la batterie.

Positions de montage de la poignée

⚠ ATTENTION :

- Avant d'utiliser l'outil, assurez-vous toujours que la poignée est verrouillée sur la position désirée.



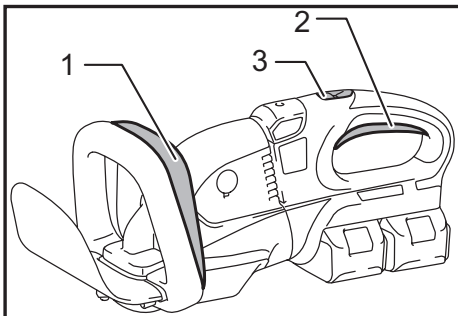
► 1. Bouton 2. Carter

Selon les utilisations, vous pouvez régler l'angle de la poignée à 45° ou à 90° à gauche ou à droite. Pour tourner la poignée, tirez sur le bouton et tournez la poignée de la façon illustrée. La poignée est verrouillée à la position 45°. Pour tourner la poignée à la position 90°, tirez à nouveau sur le bouton et tournez ultérieurement la poignée.

Interrupteur

⚠ ATTENTION :

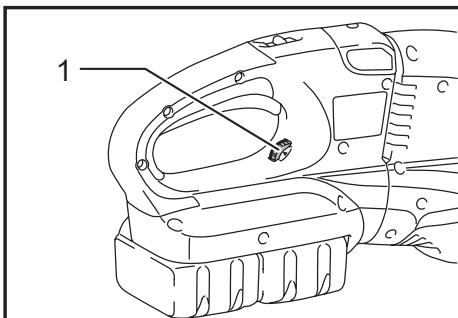
- Avant d'insérer la batterie dans l'outil, vérifiez toujours que la gâchette fonctionne bien et revient en position d'arrêt lorsque relâchée.



► 1. Gâchette B 2. Gâchette A 3. Bouton de sécurité

Par mesure de protection, cet outil présente un système de mise en marche à deux interrupteurs. Pour actionner l'outil, appuyez sur le bouton de sécurité et appuyez sur les gâchettes A et B. Pour désactiver, relâchez une des deux gâchettes. L'outil se met en marche uniquement si les deux gâchettes sont enfoncées.

Changement de vitesse



► 1. Cadran de réglage

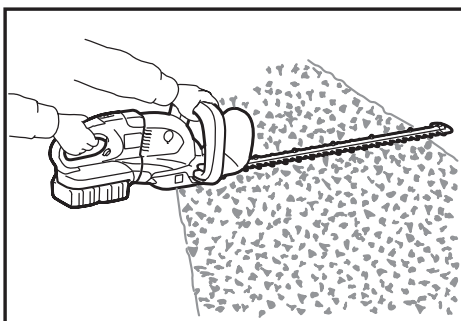
Le nombre d'impacts par minute peut être réglé en tournant simplement le cadran de réglage. Cette opération peut être réalisée même lorsque l'outil est en marche. Le cadran est marqué de 1 (vitesse la plus faible) à 6 (pleine vitesse).

Consultez le tableau ci-dessous pour voir la relation entre le nombre sur le cadran de réglage et le nombre d'impacts par minute.

Numéro sur le cadran de réglage	Nombre d'impacts par minute (min)
6	1 800
5	1 750
4	1 650
3	1 500
2	1 300
1	1 000

⚠ ATTENTION :

- Le cadran de réglage de la vitesse ne peut pas dépasser le 6 et le 1. Ne le forcez pas à dépasser le 6 ou le 1, sinon la fonction de réglage de la vitesse risque de ne plus fonctionner.
- Le nombre d'impacts par minute varie en fonction des conditions de la batterie et des lames de cisaillement.

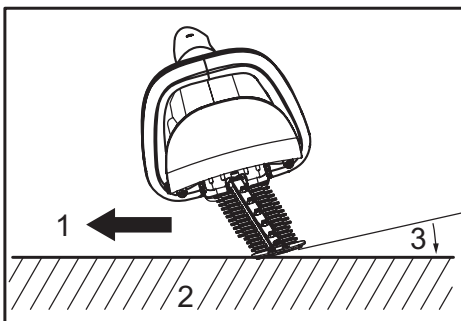


Tenez le taille-haie en utilisant les deux mains, tirez sur les gâchettes A ou B puis déplacez l'outil devant votre corps.

UTILISATION

⚠ ATTENTION :

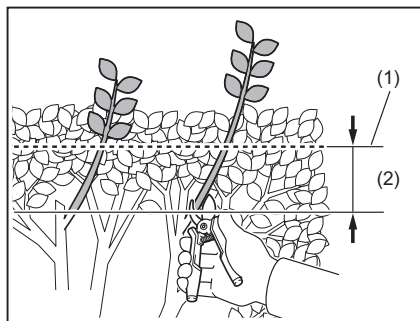
- Prenez soin de ne pas heurter accidentellement une clôture de métal ou d'autres objets durs avec l'outil. La lame se briserait et risquerait de provoquer des blessures graves.
- Il est extrêmement dangereux de travailler dans une position d'extension excessive avec un taille-haie, particulièrement si l'utilisateur se trouve sur une échelle. Ne travaillez pas debout sur un objet instable ou qui risque de s'effondrer.



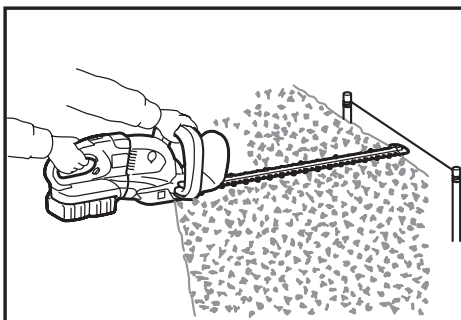
- 1. Sens de la coupe 2. Surface de la haie à tailler 3. Abaissez les lames.

L'opération de base consiste à abaisser les lames vers la direction de coupe, et à déplacer l'outil calmement et lentement, au rythme de trois ou quatre secondes par mètre.

AVIS : N'essayez pas de couper des branches d'un diamètre supérieur à 10 mm (3/8") avec l'outil. Avant d'utiliser l'outil, coupez d'abord les branches 10 cm (4") plus bas que la hauteur de coupe, à l'aide d'un ébrancheur.



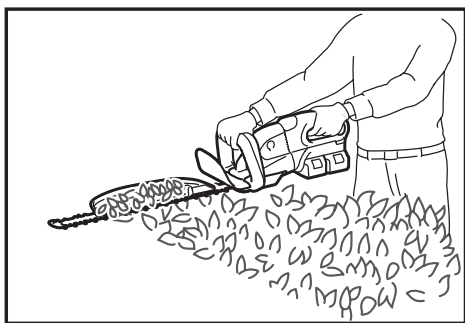
- (1) Hauteur de coupe (2) 10 cm (4")



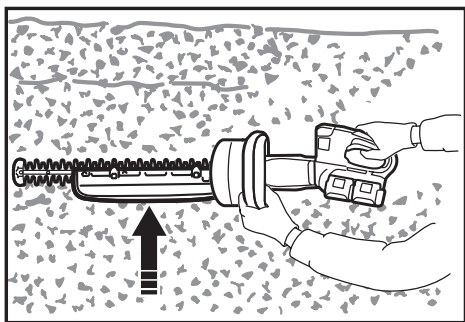
Pour tailler le dessus d'une haie de façon égale, il peut être utile d'installer une ficelle à la hauteur désirée et de tailler la haie en l'utilisant comme ligne de référence.

⚠ ATTENTION :

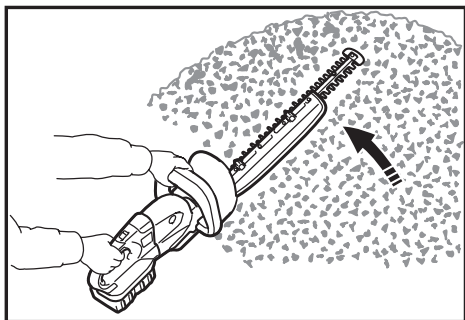
- N'utilisez pas l'outil pour couper des arbres morts ou d'autres objets durs du même genre. Dans le cas contraire, l'outil pourraient être endommagé.



Fixer le capteur de débris (accessoire en option) sur l'outil lorsqu'il est utilisé à l'horizontale permet d'éviter la dispersion des feuilles coupées.



Tournez la poignée pour une meilleure manipulation avant l'utilisation. Consultez la section intitulée « Positions de montage de la poignée ». Pour tailler les côtés d'une haie de façon égale, il est plus facile de travailler du bas vers le haut.



Taillez les buis ou le rhododendron de la base vers le haut pour une bonne apparence et pour réaliser un travail de qualité.

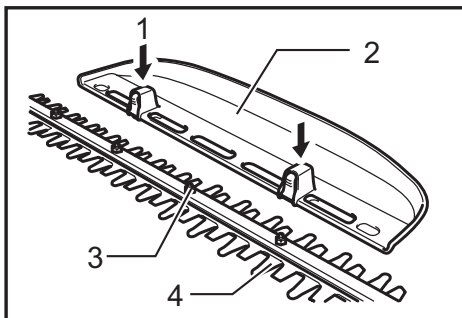
Installation ou retrait du capteur de débris (accessoire en option)

⚠ ATTENTION :

- Assurez-vous toujours que l'outil est éteint et que la batterie a été retirée avant d'installer ou de retirer le collecteur de débris.

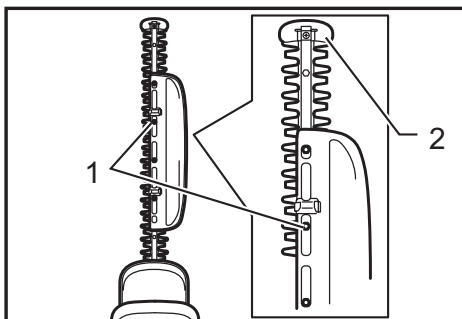
NOTE :

- Lorsque vous remplacez le capteur de débris, portez toujours des gants pour vous assurer que vos mains et votre visage ne sont pas directement en contact avec la lame. Autrement, il y a risque de blessure.
- Assurez-vous toujours de retirer le couvercle de lame avant d'installer le capteur de débris.
- Le capteur de débris recueille les feuilles coupées et facilite le travail de nettoyage des feuilles dispersées. Il peut être installé d'un côté ou de l'autre de l'outil.



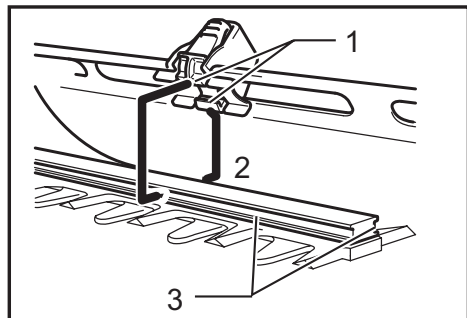
- 1. Appuyer 2. Capteur de débris 3. Écrou 4. Lame de cisaillement

Pressez le capteur de débris contre les lames de cisaillement, de sorte qu'il glisse sur les écrous des lames. Assurez-vous alors que le capteur de débris n'entre pas en contact avec le capteur de branches à l'extrémité des lames de cisaillement.



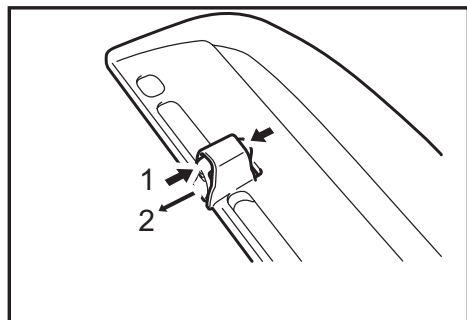
- 1. Écrou 2. Capteur de branches

Le capteur de débris doit alors être installé de manière à ce que ses crochets s'insèrent dans les rainures des lames de cisaillement.



- 1. Crochets 2. Insérez les crochets dans la rainure
3. Rainures

Pour enlever le capteur de débris, appuyez sur les leviers qui se trouvent de chaque côté, de manière à débloquer les crochets.



- 1. Appuyez sur les leviers qui se trouvent de chaque côté 2. Débloquez les crochets

⚠ ATTENTION :

- Le couvercle de lame ne peut pas être installé sur l'outil lorsque le capteur de débris est en place. Avant de transporter ou de ranger l'outil, retirez le capteur de débris, puis installez le couvercle de lame pour éviter que celles-ci ne soient exposées.

NOTE :

- Vérifiez si le capteur de débris est solidement installé avant l'utilisation.
- N'essayez jamais de retirer le capteur de débris en appuyant une force excessive lorsque ses crochets sont bloqués dans les rainures des lames. L'utilisation d'une force excessive peut les endommager.

ENTRETIEN

⚠ ATTENTION :

- Assurez-vous toujours que l'outil est hors tension et que la batterie est retirée avant d'effectuer tout travail d'inspection ou d'entretien.
- N'utilisez jamais d'essence, de benzine, de solvant, d'alcool ou d'autres produits similaires. Une décoloration, une déformation, ou la formation de fissures peuvent en découler.

Nettoyage de l'outil

Nettoyez l'outil en essuyant la saleté à l'aide d'un linge sec ou imbibé de savon.

Entretien des lames

Graissez les lames avant l'utilisation, et une fois toutes les heures, à l'aide d'huile mouvement ou de produits similaires.

NOTE :

- Retirez le capteur de débris avant de graisser la lame.

Après l'utilisation, enlevez la poussière des deux côtés de la lame à l'aide d'une brosse métallique, essuyez-la à l'aide d'un chiffon, puis appliquez une quantité suffisante d'un lubrifiant à faible viscosité, comme de l'huile mouvement, etc., et de l'huile lubrifiante en vaporisateur.

⚠ ATTENTION :

- Ne lavez pas les lames dans l'eau. Dans le cas contraire, celles-ci pourraient rouiller ou l'outil pourrait être endommagé.

AVIS : En cas d'usure des pièces autres que les lames de cisaillement, telles que la manivelle, demandez à un centre de service après-vente agréé Makita de remplacer ou réparer les pièces.

Retrait ou installation de la lame de cisaillement

⚠ ATTENTION :

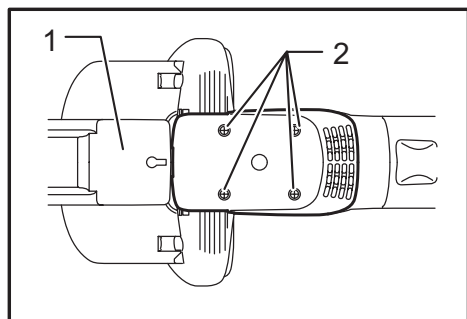
- Avant de retirer ou d'installer la lame de cisaillement, assurez-vous toujours que l'outil est éteint et la batterie retirée.
- Lorsque vous remplacez la lame de cisaillement, portez toujours des gants et n'enlevez pas le couvercle de la lame pour vous assurer que vos mains et votre visage ne sont pas directement en contact avec la lame. Autrement, il y a risque de blessure.

NOTE :

- N'essuyez pas la graisse de l'engrenage et de la came. Dans le cas contraire, vous pourriez endommager l'outil.
- Pour connaître la manière précise de retirer et d'installer les lames de cisaillement, reportez-vous à l'arrière de l'emballage des lames de cisaillement accessoires.

Retrait des lames de cisaillement

Retournez l'outil et desserrez les quatre vis.

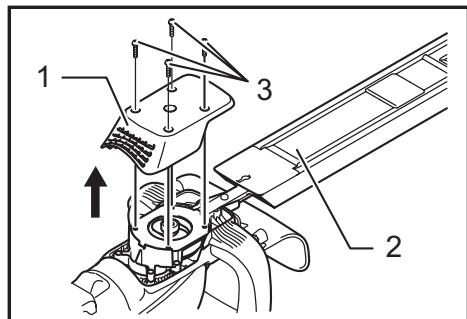


► 1. Couvercle de lame 2. Vis

NOTE :

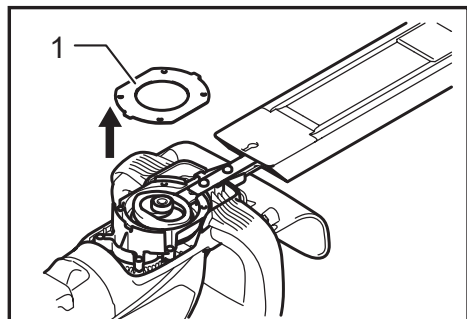
- Faites attention à ne pas vous salir les mains puisque de la graisse est appliquée dans la zone guide de la lame de cisaillement.

Enlevez le sous-couvercle.



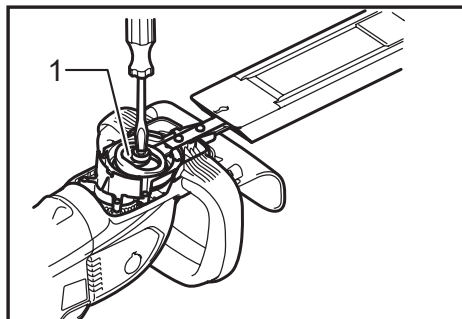
► 1. Sous-couvercle 2. Couvercle de lame 3. Vis

Enlevez la plaque.



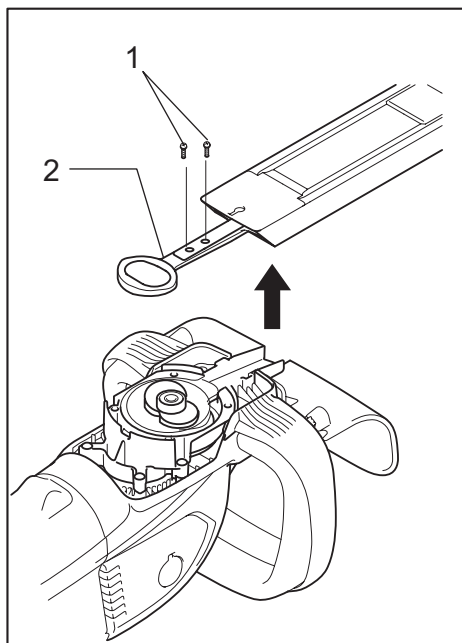
► 1. Plaque

Positionnez la came au même angle qu'illustré dans la figure en utilisant un tournevis plat.



► 1. Came

Enlevez deux vis des lames de cisaillement et retirez l'ensemble des lames.



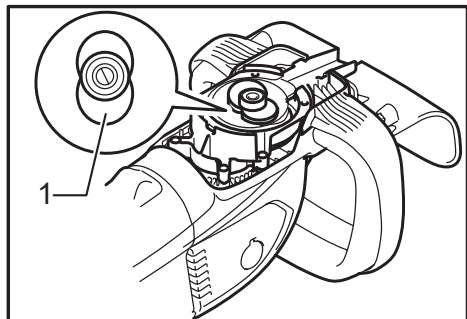
► 1. Vis 2. Lame de cisaillement

ATTENTION :

- Remettez l'engrenage dans sa position originale, de la même manière qu'il était installé, s'il devait s'enlever par erreur.

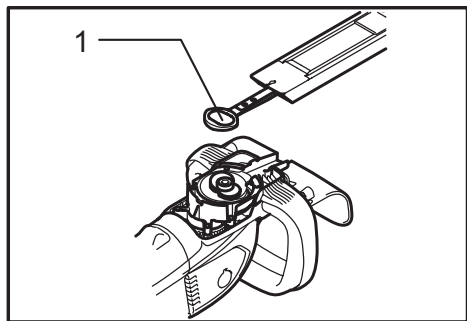
Installation des lames de cisaillement

Préparez les 4 vis enlevées (du sous-couvercle), les 2 vis (pour la lame de cisaillement), la plaque, le sous-couvercle et les nouvelles lames de cisaillement. Réglez la position de la came, tel qu'illustré dans la figure. Appliquez alors un peu de la graisse fournie avec les nouvelles lames de cisaillement autour de la came.



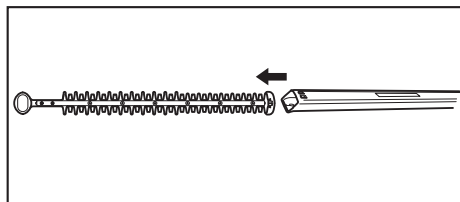
► 1. Came

Superposez le trou ovale de la lame supérieure avec celui de la lame inférieure.

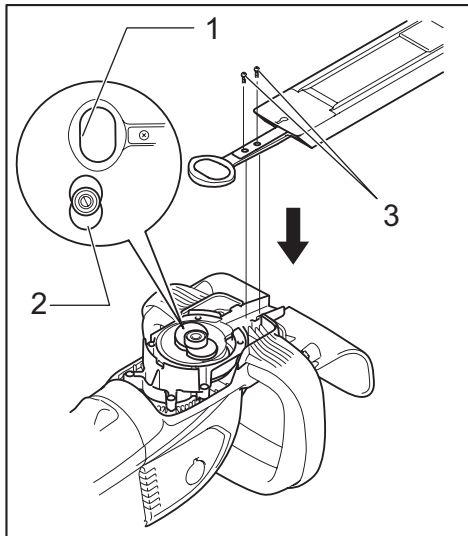


► 1. Orifice ovale de lame de cisaillement

Enlevez le couvercle des vieilles lames de cisaillement et installez-le sur les nouvelles, pour une meilleure manipulation lors du remplacement des lames.

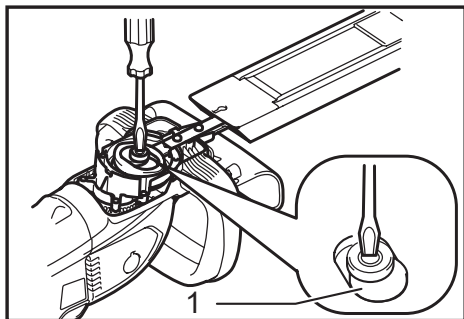


Placez les nouvelles lames de cisaillement sur l'outil, de manière à ce que les trous ovales des lames correspondent à la came. Superposez les trous des lames de cisaillement avec les trous de vis sur l'outil, puis posez les deux vis.



► 1. Orifice ovale de lame de cisaillement 2. Came 3. Vis

Vérifiez si la came tourne librement en utilisant un tournevis plat.



► 1. Came

Installez la plaque et le sous-couvercle sur l'outil. Serrez fermement la vis.

NOTE :

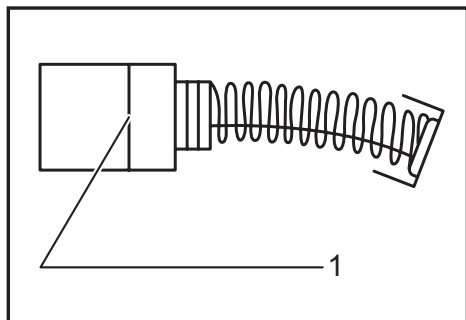
- Les plaques supérieure et inférieure sont les mêmes.

Enlevez le couvercle de la lame, puis mettez l'outil en marche pour en vérifier le bon fonctionnement.

NOTE :

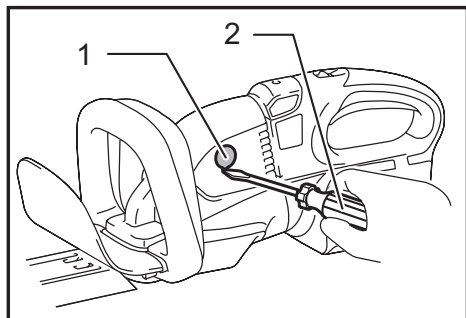
- Si les lames de cisaillement ne fonctionnent pas adéquatement, cela indique que les lames et la came sont mal assemblées. Répétez les opérations.

Remplacement des charbons



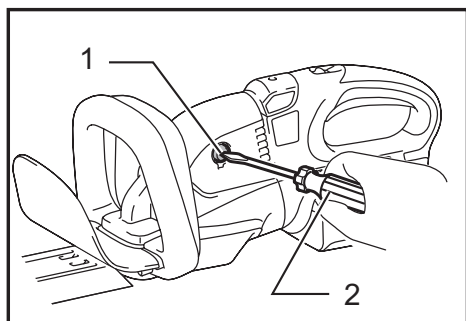
► 1. Trait de limite d'usure

Retirez et vérifiez régulièrement les charbons. Remplacez-les lorsqu'ils sont usés jusqu'au trait de limite d'usure. Maintenez les charbons propres et en état de glisser aisément dans les porte-charbon. Les deux charbons doivent être remplacés en même temps. N'utilisez que des charbons identiques.



► 1. Couvercle de porte-charbon 2. Tournevis plat

Insérez l'extrémité du tournevis plat dans l'encoche de l'outil et retirez le couvercle de porte-charbon en le soulevant.

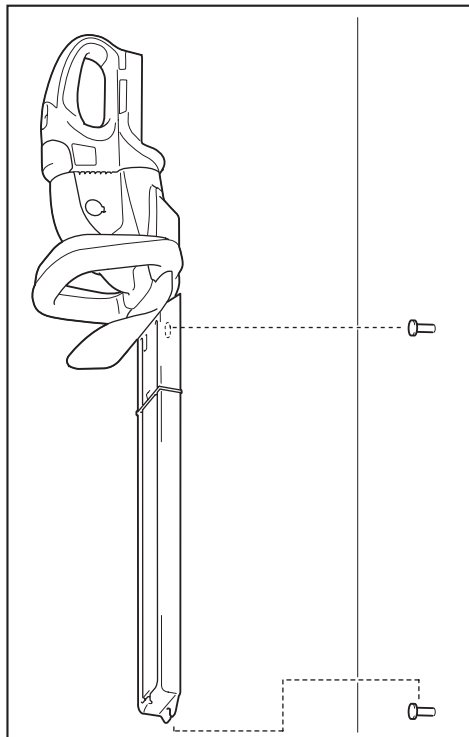


► 1. Bouchon de porte-charbon 2. Tournevis plat

Utilisez un tournevis plat pour retirer les bouchons de porte-charbon. Enlevez les charbons usés, insérez les neufs et posez les bouchons de porte-charbon. Remettez le couvercle de porte-charbon en place sur l'outil.

Entreposage

Le trou à l'arrière du couvercle de lame est utile pour suspendre l'outil sur un clou ou une vis fixé au mur.



Retirez la batterie puis placez le couvercle de lame sur les lames de cisaillement pour éviter qu'elles ne soient exposées. Rangez l'outil soigneusement hors de la portée des enfants.

Rangez l'outil à l'abri de l'eau et de la pluie.

Pour maintenir la SÉCURITÉ et la FIABILITÉ du produit, les réparations, tout autre travail d'entretien ou de réglage doivent être effectués dans un centre de service Makita agréé ou un centre de service de l'usine Makita, exclusivement avec des pièces de rechange Makita.

ACCESSOIRES EN OPTION

⚠ ATTENTION :

- Ces accessoires ou pièces complémentaires sont recommandés pour l'utilisation avec l'outil Makita spécifié dans ce mode d'emploi. L'utilisation de tout autre accessoire ou pièce complémentaire peut comporter un risque de blessure. N'utilisez les accessoires ou pièces qu'aux fins auxquelles ils ont été conçus.

Si vous désirez obtenir plus de détails concernant ces accessoires, veuillez contacter le centre de service après-vente Makita le plus près.

- Couvercle de lame
- Ensemble des lames de cisaillement
- Chargeur et batterie authentiques Makita
- Capteur de débris

NOTE :

- Certains éléments de la liste peuvent être inclus avec l'outil comme accessoires standard. Ils peuvent varier suivant les pays.

GARANTIE LIMITÉE MAKITA

Pour les conditions de garantie en vigueur qui s'appliquent à ce produit, veuillez vous reporter à la feuille de garantie en annexe. Si la feuille de garantie en annexe n'est pas disponible, reportez-vous aux détails de la garantie présentés sur le site Web de votre pays, ci-dessous.

États-Unis d'Amérique: www.makitatools.com

Canada: www.makita.ca

Autres pays: www.makita.com

ESPECIFICACIONES

Modelo	DUH551	DUH651
Longitud de la cuchilla	550 mm (21-5/8")	650 mm (25-1/2")
Carreras por minuto (RPM)	1 000 cpm - 1 800 cpm	
Longitud total	1 065 mm (42")	1 135 mm (44-3/4")
Tensión nominal	36 V c.c.	
Peso neto	4,6 kg - 5,3 kg (10,2 lbs - 11,6 lbs)	4,7 kg - 5,5 kg (10,3 lbs - 12,0 lbs)

- Debido a nuestro continuo programa de investigación y desarrollo, las especificaciones aquí incluidas están sujetas a cambio sin previo aviso.
- Las especificaciones pueden variar de país a país.
- El peso puede variar en función de los accesorios, incluido el cartucho de batería. En la tabla se muestra la combinación de peso más ligero y más pesado conforme al procedimiento 01/2014 de EPTA.

Cartucho de batería y cargador aplicables

Cartucho de batería	BL1815N / BL1820B / BL1830 / BL1830B / BL1840B / BL1850B / BL1860B
Cargador	DC18RC / DC18RD / DC18RE / DC18SD / DC18SE / DC18SF / DC18SH

- Algunos de los cartuchos de batería y cargadores enumerados arriba podrían no estar disponibles dependiendo de su área de residencia.

⚠ ADVERTENCIA: Use únicamente los cartuchos de batería y los cargadores indicados arriba. El uso de cualquier otro cartucho de batería y cargador podría ocasionar una lesión y/o un incendio.

Fuente de alimentación conectada por cable recomendada

Adaptador para batería	BAP182
Unidad portátil de alimentación eléctrica	PDC01 / PDC1200

- La o las fuentes de alimentación conectadas por cable enumeradas arriba podrían no estar disponibles dependiendo de su área de residencia.
- Antes de utilizar la fuente de alimentación conectada por cable, lea las instrucciones e indicaciones de precaución sobre ellas.

Advertencias de seguridad generales para herramientas eléctricas

⚠ ADVERTENCIA: lea todas las advertencias de seguridad e instrucciones. Si no sigue todas las advertencias e instrucciones indicadas a continuación, podrá ocasionar una descarga eléctrica, un incendio y/o lesiones graves.

Guarde todas las advertencias e instrucciones para su futura referencia.

El término "herramienta eléctrica" se refiere, en todas las advertencias que aparecen a continuación, a su herramienta eléctrica de funcionamiento con conexión a la red eléctrica (con cableado eléctrico) o herramienta eléctrica de funcionamiento a batería (inalámbrica).

Seguridad en el área de trabajo

1. **Mantenga el área de trabajo limpia y bien iluminada.** Las áreas oscuras o desordenadas son propensas a accidentes.

2. **No utilice las herramientas eléctricas en atmósferas explosivas, tal como en la presencia de líquidos, gases o polvo inflamables.** Las herramientas eléctricas crean chispas que pueden prender fuego al polvo o los humos.
3. **Mantenga a los niños y curiosos alejados mientras utiliza una herramienta eléctrica.** Las distracciones le pueden hacer perder el control.

Seguridad eléctrica

4. **Las clavijas de conexión de las herramientas eléctricas deberán encajar perfectamente en la toma de corriente. No modifique nunca la clavija de conexión de ninguna forma. No utilice ninguna clavija adaptadora con herramientas eléctricas que tengan conexión a tierra (puesta a tierra).** La utilización de clavijas no modificadas y que encajen perfectamente en la toma de corriente reducirá el riesgo de que se produzca una descarga eléctrica.
5. **Evite tocar con el cuerpo superficies conectadas a tierra o puestas a tierra tales como tubos, radiadores, cocinas y refrigeradores.** Si su cuerpo es puesto a tierra o conectado a tierra existirá un mayor riesgo de que sufra una descarga eléctrica.

6. **No exponga las herramientas eléctricas a la lluvia ni a condiciones húmedas.** La entrada de agua en una herramienta eléctrica aumentará el riesgo de que se produzca una descarga eléctrica.
7. **No jale el cable. Nunca utilice el cable para transportar, jalar o desconectar la herramienta eléctrica.** Mantenga el cable alejado del calor, aceite, objetos cortantes o piezas móviles. Los cables dañados o atrapados aumentan el riesgo de sufrir una descarga eléctrica.
8. **Cuando utilice una herramienta eléctrica en exteriores, utilice un cable de extensión apropiado para uso en exteriores.** La utilización de un cable apropiado para uso en exteriores reducirá el riesgo de que se produzca una descarga eléctrica.
9. **Si no es posible evitar usar una herramienta eléctrica en condiciones húmedas, utilice un alimentador protegido con interruptor de circuito de falla en tierra (ICFT).** El uso de un ICFT reduce el riesgo de descarga eléctrica.

Seguridad personal

10. **Manténgase alerta, preste atención a lo que está haciendo y utilice su sentido común cuando opere una herramienta eléctrica. No utilice la herramienta eléctrica cuando esté cansado o bajo la influencia de drogas, alcohol o medicamentos.** Un momento de distracción mientras opera la máquina puede dar como resultado heridas personales graves.
11. **Use equipo de protección personal. Póngase siempre protección para los ojos.** El equipo protector tal como máscara contra el polvo, zapatos de seguridad antiderrapantes, casco rígido y protección para oídos utilizado en las condiciones apropiadas reducirá las heridas personales.
12. **Impida el encendido accidental. Asegúrese de que el interruptor esté en la posición de apagado antes de conectar a la alimentación eléctrica y/o de colocar el cartucho de la batería, así como al levantar o cargar la herramienta.** Cargar las herramientas eléctricas con su dedo en el interruptor o enchufarlas con el interruptor encendido hace que los accidentes sean propensos.
13. **Retire cualquier llave de ajuste o llave de apriete antes de encender la herramienta.** Una llave de ajuste o llave de apriete que haya sido dejada puesta en una parte giratoria de la herramienta eléctrica podrá resultar en heridas personales.
14. **No utilice la herramienta donde no alcance. Mantenga los pies sobre suelo firme y el equilibrio en todo momento.** Esto permite un mejor control de la herramienta eléctrica en situaciones inesperadas.
15. **Use vestimenta apropiada. No use ropas sueltas ni joyas. Mantenga el cabello, la ropa y los guantes alejados de las piezas móviles.** Las prendas de vestir holgadas, las joyas y el cabello suelto podrían engancharse en estas piezas móviles.
16. **Si dispone de dispositivos para la conexión de equipos de extracción y recolección de polvo, asegúrese de conectarlos y utilizarlos debidamente.** La utilización de estos dispositivos reduce los riesgos relacionados con el polvo.

Mantenimiento y uso de la herramienta eléctrica

17. **No fuerce la herramienta eléctrica. Utilice la herramienta eléctrica correcta para su aplicación.** La herramienta eléctrica adecuada hará un trabajo mejor a la velocidad para la que ha sido fabricada.
 18. **No utilice la herramienta eléctrica si el interruptor no la enciende y apaga.** Cualquier herramienta eléctrica que no pueda ser controlada con el interruptor es peligrosa y debe ser reemplazada.
 19. **Desconecte la clavija de la fuente de energía y/o la batería de la herramienta eléctrica antes de realizar ajustes, cambiar accesorios o guardar las herramientas eléctricas.** Dichas medidas de seguridad preventivas reducen el riesgo de que la herramienta se inicie accidentalmente.
 20. **Guarde la herramienta eléctrica que no use fuera del alcance de los niños y no permita que las personas que no están familiarizadas con ella o con las instrucciones la operen.** Las herramientas eléctricas son peligrosas en manos de personas que no saben operarlas.
 21. **Realice el mantenimiento a las herramientas eléctricas. Compruebe que no haya partes móviles desalineadas o estancadas, piezas rotas y cualquier otra condición que pueda afectar al funcionamiento de la herramienta eléctrica. Si la herramienta eléctrica está dañada, haga que se la reparen antes de utilizarla.** Muchos accidentes son ocasionados por herramientas eléctricas con un mal mantenimiento.
 22. **Mantenga las herramientas de corte limpias y filosas.** Si recibe un mantenimiento adecuado y tiene los bordes afilados, es probable que la herramienta se atasque menos y sea más fácil controlarla.
 23. **Utilice la herramienta eléctrica, así como accesorios, piezas, brocas, etc. de acuerdo con estas instrucciones y de la manera establecida para cada tipo de unidad en particular; tenga en cuenta las condiciones laborales y el trabajo a realizar.** Si utiliza la herramienta eléctrica para realizar operaciones distintas de las indicadas, podrá presentarse una situación peligrosa.
- ### Uso y cuidado de la herramienta a batería
24. **Realice la recarga sólo con el cargador especificado por el fabricante.** Un cargador que es adecuado para un solo tipo de batería puede generar riesgo de incendio al ser utilizado con otra batería.
 25. **Utilice las herramientas eléctricas solamente con las baterías designadas específicamente para ellas.** La utilización de cualquier otra batería puede crear un riesgo de heridas o incendio.
 26. **Cuando no se esté usando el cartucho de la batería, manténgalo alejado de otros objetos metálicos, como sujetapapeles (clips), monedas, llaves, clavos, tornillos u otros objetos pequeños de metal los cuales pueden actuar creando una conexión entre las terminales de la batería.** Cerrar el circuito de las terminales de la batería puede causar quemaduras o incendios.

27. **En condiciones abusivas, podrá escapar líquido de la batería; evite tocarlo. Si lo toca accidentalmente, enjuague con agua. Si hay contacto del líquido con los ojos, acuda por ayuda médica.** Puede que el líquido expulsado de la batería cause irritación o quemaduras.
- Servicio de mantenimiento**
28. **Haga que una persona calificada repare la herramienta utilizando sólo piezas de repuesto idénticas.** Esto asegura que se mantenga la seguridad de la herramienta eléctrica.
 29. **Siga las instrucciones para la lubricación y cambio de accesorios.**
 30. **Mantenga las agarraderas secas, limpias y sin aceite o grasa.**

Advertencias de seguridad para el cortasetos inalámbrico

1. **Mantenga todas las partes del cuerpo alejadas de la cuchilla de corte. No retire ni sostenga el material que va a cortar cuando las cuchillas estén en movimiento. Las cuchillas siguen girando por inercia aún después de apagadas. Asegúrese de que el interruptor se encuentre apagado antes de despejar el material atascado.** Un momento de distracción mientras opera el cortasetos podría ocasionar lesiones personales graves.
2. **Sostenga el cortasetos por el mango cuando la cuchilla de corte se encuentre detenida.** La manipulación adecuada del cortasetos reducirá la posibilidad de lesiones personales ocasionadas por las cuchillas de corte.
3. **Sujete la herramienta solamente por las superficies de asimiento aisladas, ya que la cuchilla de corte podría entrar en contacto con cableado oculto.** Las cuchillas de corte que entren en contacto con un cable con corriente podrán hacer que la corriente circule por las piezas metálicas expuestas de la herramienta eléctrica pudiendo ocasionar una descarga eléctrica al operador.
4. **PELIGRO - Mantenga las manos alejadas de la cuchilla.** El contacto con la cuchilla podría ocasionar lesiones personales graves.
5. **No utilice el cortasetos bajo la lluvia o en lugares mojados ni en condiciones de mucha humedad.** El motor eléctrico no es a prueba de agua.
6. **Un usuario con experiencia deberá enseñar a los usuarios primerizos cómo manejar el cortasetos.**
7. **El cortasetos no deberá ser utilizado por niños ni por personas menores de 18 años.** Esta restricción podrá pasarse por alto para personas mayores de 16 años siempre que reciban la capacitación correspondiente bajo la supervisión de un experto.
8. **Utilice el cortasetos sólo si se encuentra en buena condición física.** Si está cansado, su atención se verá disminuida. Sea especialmente cuidadoso al término de una jornada laboral. Realice todo el trabajo tranquila y cuidadosamente. El usuario será responsable de todos los daños a terceras personas.
9. **Nunca utilice el cortasetos si está bajo la influencia de alcohol, drogas o algún medicamento.**
10. **Los guantes de trabajo hechos de piel gruesa forman parte del equipo básico del cortasetos y deberán usarse siempre que se trabaje con éste. Utilice también zapatos resistentes con suelas antiderrapantes.**
11. **Antes de comenzar el trabajo, revise el cortasetos para asegurarse de que esté en buen estado y en condiciones seguras de funcionamiento. Asegúrese de que los protectores estén colocados correctamente. El cortasetos no deberá ser utilizado hasta que se encuentre totalmente ensamblado.**
12. **Asegúrese de pisar firmemente antes de comenzar la operación.**
13. **Siempre utilice la herramienta sosténgala firmemente.**
14. **No opere la herramienta sin carga innecesariamente.**
15. **Si la pieza de corte entra en contacto con alguna cerca u otro objeto duro, apague inmediatamente el motor y retire el cartucho de batería. Verifique si la cortadora presenta algún daño, de ser así deberá ser reparada de inmediato.**
16. **Siempre apague el cortasetos y retire el cartucho de batería antes de revisar la cortadora, enmendar fallas o retirar algún material atorado en la cortadora.**
17. **Apague el cortasetos y retire el cartucho de batería antes de realizar cualquier trabajo de mantenimiento.**
18. **Siempre que traslade el cortasetos a otro lugar, aun durante el trabajo, retire el cartucho de batería y coloque la cubierta de las cuchillas para cubrir las cuchillas de corte. Nunca cargue ni transporte el cortasetos con la cortadora funcionando. Nunca sostenga la cortadora con sus manos.**
19. **Limpie el cortasetos y en especial la cortadora después de usarlos y antes de almacenar el cortasetos por períodos prolongados. Aplique una capa ligera de aceite a la cortadora y colóque la cubierta.** La cubierta suministrada con la unidad puede colgarse en la pared, proporcionando una manera práctica y segura para almacenar el cortasetos.
20. **Almacene el cortasetos con la cubierta puesta en una habitación libre de humedad. Manténgalo fuera del alcance de los niños. Nunca almacene el cortasetos en exteriores.**
21. **Nunca apunte las cuchillas de cizalla hacia usted ni hacia otras personas.**
22. **Si las cuchillas se dejan de mover a causa de objetos extraños atorados entre ellas durante la operación, apague la herramienta, extraiga el cartucho de batería y luego retire los objetos extraños usando herramientas tales como pinzas.** El retirar los objetos extraños con la mano podría ocasionar una lesión, debido a que las cuchillas pueden moverse al intentar retirarlas.

23. Evite los entornos peligrosos. No utilice la herramienta en lugares húmedos o mojados ni la esponja a la lluvia. El agua que ingrese a la herramienta incrementará el riesgo de descarga eléctrica.
24. No arroje la(s) batería(s) al fuego. La celda podría explotar. Consulte los códigos locales para ver si hay instrucciones especiales relacionadas con la disposición.
25. No abra ni dañe la(s) batería(s). Los electrolitos liberados son corrosivos y pueden ocasionar daños en los ojos o la piel. Estos pueden ser tóxicos si se llegan a tragar.
26. No cargue la batería bajo la lluvia ni en lugares mojados.
27. Antes de operar la herramienta, revise los setos y arbutos para ver que no haya objetos extraños, tales como cercas de alambre o cableado oculto.

GUARDE ESTAS INSTRUCCIONES.

⚠ADVERTENCIA: NO DEJE que la comodidad o familiaridad con el producto (a base de utilizarlo repetidamente) evite que siga estrictamente las normas de seguridad para dicho producto. El USO INCORRECTO o el no seguir las normas de seguridad indicadas en este manual de instrucciones puede ocasionar lesiones graves.

⚠ADVERTENCIA: El uso de este producto puede generar polvo que contenga sustancias químicas que pueden causar enfermedades respiratorias, entre otros males.

Algunos ejemplos de estos químicos son los compuestos que se encuentran en los pesticidas, insecticidas, fertilizantes y herbicidas.

El riesgo al que se expone variara, dependiendo de la frecuencia con la que realice este tipo de trabajo. Para reducir la exposición a estos productos químicos: trabaje en un área bien ventilada, y póngase el equipo de seguridad indicado, tal como esas mascarillas contra el polvo que están especialmente diseñadas para filtrar partículas microscópicas.

Símbolos

A continuación se muestran los símbolos utilizados para la herramienta.

v	volts o voltios
— ---	corriente directa o continua
n ₀	velocidad en vacío o sin carga
... /min r /min	revoluciones o alternaciones por minuto, frecuencia de rotación

Instrucciones importantes de seguridad para el cartucho de batería

1. Antes de utilizar el cartucho de batería, lea todas las instrucciones e indicaciones de precaución en el (1) el cargador de batería, (2) la batería, y (3) el producto con el que se utiliza la batería.
2. No desarme ni modifique el cartucho de batería. Podría ocurrir un incendio, calor excesivo o una explosión.
3. Si el tiempo de operación se ha acortado en exceso, deje de operar de inmediato. Podría correrse el riesgo de sobrecalentamiento, posibles quemaduras e incluso explosión.
4. En caso de que ingresen electrolitos en sus ojos, enjuáguelos bien con agua limpia y consulte de inmediato a un médico. Esto podría ocasionar pérdida de visión.
5. Evite cortocircuitar el cartucho de batería:
 - (1) No toque las terminales con ningún material conductor.
 - (2) Evite guardar el cartucho de batería en un cajón junto con otros objetos metálicos, tales como clavos, monedas, etc.
 - (3) No exponga el cartucho de batería al agua o la lluvia.

Un cortocircuito en la batería puede causar un flujo grande de corriente, sobrecalentamiento, posibles quemaduras e incluso una descompostura.
6. No guarde ni utilice la herramienta y el cartucho de batería en lugares donde la temperatura pueda alcanzar o exceder los 50 °C (122 °F).
7. Nunca incinere el cartucho de batería incluso en el caso de que esté dañado seriamente o ya no sirva en absoluto. El cartucho de batería puede explotar si se tira al fuego.
8. No clave, corte, aplaste, lance o deje caer el cartucho de batería, ni golpee un objeto sólido contra el cartucho de batería. Dicha acción podría resultar en un incendio, calor excesivo o en una explosión.
9. No use una batería dañada.
10. Las baterías de ión de litio están sujetas a los requisitos reglamentarios en materia de bienes peligrosos.

Para el trasporte comercial, por ej., mediante terceros o agentes de transporte, se deben tomar en cuenta los requisitos especiales relativos al empaque y el etiquetado.

Para efectuar los preparativos del artículo que se va a enviar, se requiere consultar a un experto en materiales peligrosos. Si es posible, consulte además otras regulaciones nacionales más detalladas.

Pegue o cubra con cinta adhesiva los contactos abiertos y empaque la batería de manera que ésta no pueda moverse dentro del paquete.
11. Para deshacerse del cartucho de batería, sáquelo de la herramienta y deséchelo en un lugar seguro. Siga las regulaciones locales relacionadas al desecho de las baterías.

12. **Utilice las baterías únicamente con los productos especificados por Makita.** Instalar las baterías en productos que no cumplan con los requisitos podría ocasionar un incendio, un calentamiento excesivo, una explosión o una fuga de electrolito.
13. **Si no se utiliza la herramienta por un período largo, debe extraerse la batería de la herramienta.**
14. **El cartucho de batería podría absorber calor durante y después de su uso, lo que ocasionaría quemaduras o quemaduras a baja temperatura.** Tenga cuidado con la manipulación de los cartuchos de batería que estén calientes.
15. **No toque el terminal de la herramienta inmediatamente después de su uso, ya que el mismo podría estar lo suficientemente caliente como para provocarle quemaduras.**
16. **No permita que las rebabas, el polvo o la tierra queden atrapados en los terminales, orificios y ranuras del cartucho de batería.** Esto podría ocasionar un desempeño deficiente o descompostura de la herramienta o del cartucho de batería.
17. **No utilice el cartucho de batería cerca de cables eléctricos de alto voltaje, a menos que la herramienta sea compatible con el uso cercano a estos cables eléctricos de alto voltaje.** Esto podría ocasionar una avería o descompostura de la herramienta o del cartucho de batería.
18. **Mantenga la batería alejada de los niños.**

GUARDE ESTAS INSTRUCCIONES.

⚠PRECAUCIÓN: Utilice únicamente baterías originales de Makita. El uso de baterías no originales de Makita, o de baterías alteradas, puede ocasionar que las baterías exploten causando un incendio, lesiones personales y daños. Asimismo, esto invalidará la garantía de Makita para la herramienta y el cargador Makita.

Consejos para alargar al máximo la vida útil de la batería

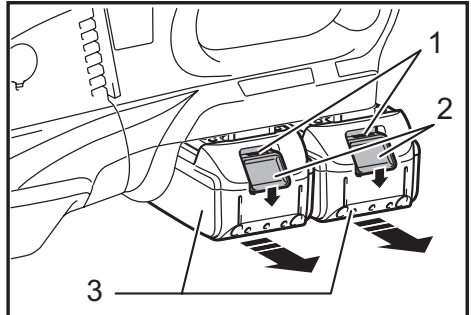
1. **Cargue el cartucho de batería antes de que se descargue completamente. Pare siempre la operación y cargue el cartucho de batería cuando note menos potencia en la herramienta.**
2. **No cargue nunca un cartucho de batería que esté completamente cargado. La sobrecarga acortará la vida de servicio de la batería.**
3. **Cargue el cartucho de batería a una temperatura ambiente de 10 °C - 40 °C (50 °F - 104 °F). Si un cartucho de batería está caliente, déjelo enfriar antes de cargarlo.**
4. **Cuando no utilice el cartucho de batería, sáquelo de la herramienta o del cargador.**
5. **Cargue el cartucho de batería si no va a utilizarlo durante un periodo prolongado (más de seis meses).**

DESCRIPCIÓN DEL FUNCIONAMIENTO

⚠PRECAUCIÓN:

- Asegúrese siempre de que la herramienta esté apagada y el cartucho de batería extraído antes de realizar cualquier ajuste o comprobación en la herramienta.

Instalación o desmontaje del cartucho de batería



- 1. Indicador rojo 2. Botón 3. Cartucho de batería

⚠PRECAUCIÓN:

- Apague siempre la herramienta antes de colocar o quitar el cartucho de batería.
- **Sujete la herramienta y el cartucho de la batería con firmeza al colocar o quitar el cartucho.** Si no se sujeta con firmeza la herramienta y el cartucho de la batería, puede ocasionar que se resbalen de sus manos resultando en daños a la herramienta y al cartucho, así como lesiones a la persona.

Para quitar el cartucho de batería, deslícelo de la herramienta mientras desliza el botón sobre la parte delantera del cartucho. Para colocar el cartucho de batería, alinee la lengüeta sobre el cartucho de batería con la ranura en la carcasa y deslice en su lugar. Inserte por completo hasta que se fije en su lugar con un pequeño clic. Si puede ver el indicador rojo del lado superior del botón, esto indica que no ha quedado fijo por completo.

⚠PRECAUCIÓN:

- Introduzca siempre completamente el cartucho de batería hasta que el indicador rojo no pueda verse. Si no, podría accidentalmente salirse de la herramienta y caer al suelo causando una lesión a usted o alguien a su alrededor.
- No instale el cartucho de batería a la fuerza: si el cartucho no se desliza al interior fácilmente, se debe a que no está siendo insertado correctamente.

NOTA:

- La herramienta no funciona con solo un cartucho de batería.

Sistema de protección de la herramienta / batería

La herramienta está equipada con un sistema de protección de la herramienta / batería. Este sistema corta en forma automática el suministro de energía al motor para prolongar la vida útil de la herramienta y batería. La herramienta se detendrá automáticamente durante el funcionamiento si la herramienta o la batería se someten a una de las siguientes condiciones: En algunas condiciones, las luces indicadoras se encienden.

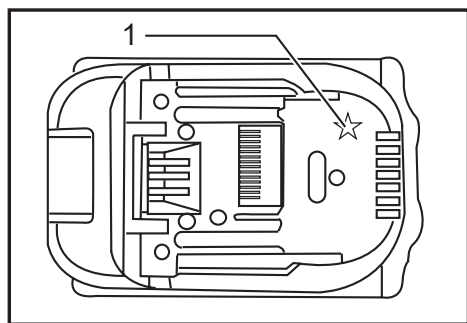
Protección contra la sobrecarga

Cuando la herramienta es utilizada de tal manera que cause un consumo anormalmente alto de corriente, la herramienta automáticamente se para sin indicación alguna. En este caso, apague la herramienta y detenga la aplicación que causó que la herramienta se sobrecargara. Luego encienda la herramienta y reinicie.

Protección contra el sobrecalentamiento para la herramienta / batería

Cuando la herramienta / batería se sobrecalienta, la herramienta se para automáticamente sin indicación alguna. La herramienta no se acciona incluso al jalar el gatillo interruptor. En este caso, espere que la herramienta / batería se enfríe antes de volver a encender la herramienta.

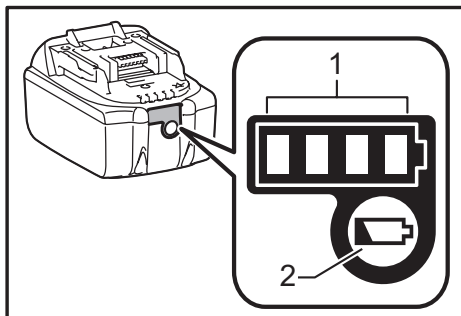
NOTA: La protección contra el sobrecalentamiento de la batería funciona solamente con un cartucho de batería el cual presente una marca de estrella.



► 1. Marca de estrella

Indicación de la capacidad restante de la batería

(Solo para cartuchos de batería con una "B" al final del número de modelo.)



► 1. Luces indicadoras 2. Botón de verificación "CHECK"

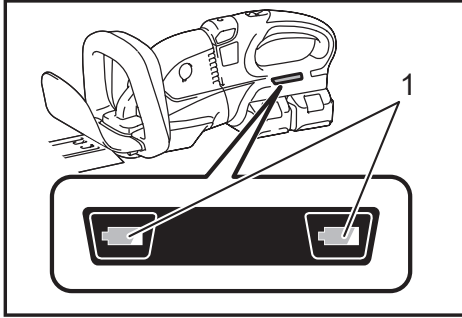
Presione el botón de comprobación en el cartucho de la batería para indicar la capacidad restante de la batería. La luz indicadora se enciende por algunos segundos.

Luces indicadoras			Capacidad restante
Encendido	APAGADO	Intermitencia	
■	■	■	75% a 100%
■	■	□	50% a 75%
■	□	□	25% a 50%
□	□	□	0% a 25%
▬	□	□	Recargue la batería.
■	■	□	Puede que haya un defecto en el funcionamiento de la batería.
□	□	■	

NOTA:

- Dependiendo de las condiciones de uso y de la temperatura ambiental, puede que el nivel indicado difiera ligeramente de la capacidad real de la batería.

Protección contra la sobrecarga



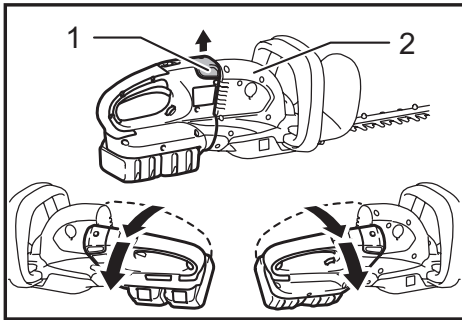
► 1. Indicador de batería

Cuando la capacidad restante de la batería sea baja, la luz indicadora de la batería parpadea en el lado que corresponda de la batería. Si se continúa usando, la herramienta parará y el indicador de la batería se encenderá por alrededor de 10 segundos. En este caso, recargue el cartucho de batería.

Posiciones de colocación del mango

⚠PRECAUCIÓN:

- Asegúrese siempre que el mango quede fijo en la posición deseada antes de la operación.



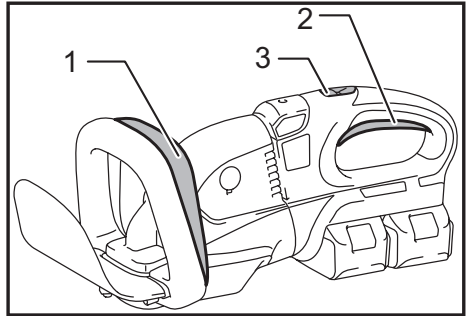
► 1. Perilla 2. Carcasa

Dependiendo de las operaciones, usted puede ajustar el ángulo del mango ya sea en un ángulo de 45° o 90° sobre la izquierda o la derecha. Para ajustar el mango, jale la perilla y gire el mango como se ilustra en la figura. El mango queda fijo a un ángulo de 45°. Para ajustar el mango a un ángulo de 90°, jale la perilla de nuevo y ajuste más el mango.

Accionamiento del interruptor

⚠PRECAUCIÓN:

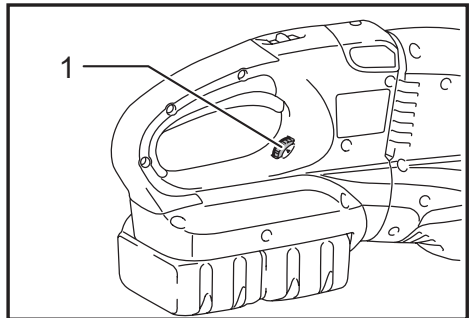
- Antes de insertar el cartucho de batería en la herramienta, compruebe siempre y cerciórese de que el gatillo interruptor se acciona debidamente y que vuelve a la posición "OFF" (apagado) cuando lo suelta.



► 1. Gatillo interruptor B 2. Gatillo interruptor A
3. Botón lock-off (bloqueo desactivado)

Para su seguridad, esta herramienta cuenta con un sistema interruptor doble. Para encender la herramienta, presione el botón de bloqueo mientras presiona los gatillos interruptores A y B. Para apagar la herramienta, libere cualquiera de los gatillos interruptores. La herramienta arranca solo cuando ambos gatillos interruptores se jalan.

Cambio de velocidad



► 1. Control de ajuste de velocidad

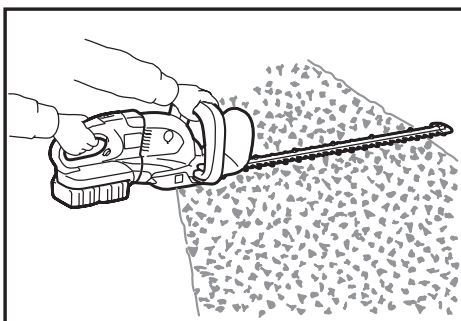
Las carreras por minuto pueden ajustarse con tan sólo girar el selector de ajuste. Esto puede hacerse incluso cuando la herramienta no esté activa. El selector está marcado con 1 (velocidad mínima) a 6 (velocidad máxima).

Consulte la tabla a continuación para la relación entre el número de ajuste en el selector y las carreras por minuto.

Número en el control de ajuste	Carreras por minuto (cpm)
6	1 800
5	1 750
4	1 650
3	1 500
2	1 300
1	1 000

⚠PRECAUCIÓN:

- El control de ajuste de velocidad sólo se puede subir hasta 6 y bajar hasta 1. No lo fuerce más allá de estas marcas o de lo contrario la función de ajuste de velocidad podría arruinarse.
- Las carreras por minuto varían de acuerdo a las condiciones del cartucho de la batería y las hojas de las cuchillas.

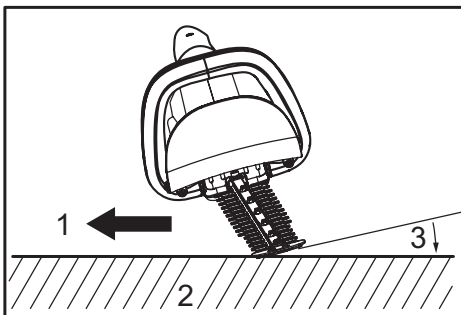


Sujete la podadora con ambas manos jalando los gatillos A o B y mueva hacia adelante de su cuerpo.

OPERACIÓN

⚠PRECAUCIÓN:

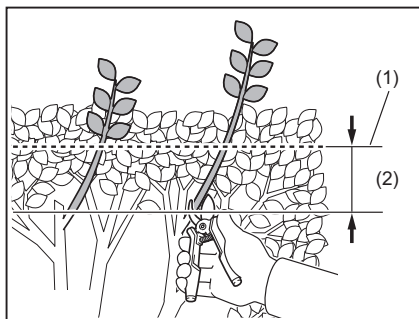
- Tenga la precaución de no hacer contacto accidental con un cerco metálico o algún otro objeto duro al estar podando. La cuchilla se romperá y puede que cause graves lesiones.
- El excederse en su alcance con la podadora de setos, particularmente desde una escalera, es extremadamente peligroso. No trabaje sobre ninguna superficie tambaleante o que carezca de firmeza.



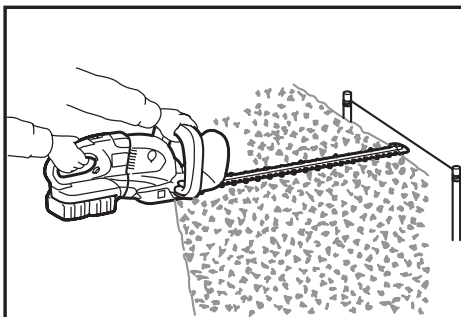
► 1. Dirección de podado 2. Superficie del seto a ser podada 3. Inclinación de las cuchillas.

Como operación básica, incline las cuchillas hacia la dirección de podado y mueva con calma y cuidadosamente a una velocidad de 3 ó 4 segundos por metro (3m/s - 4m/s).

AVISO: No intente usar la herramienta para cortar ramas con un diámetro mayor a 10 mm (3/8"). Corte las ramas a 10 cm (4") menos que la altura de corte usando algún cortador de ramas antes de usar la herramienta.



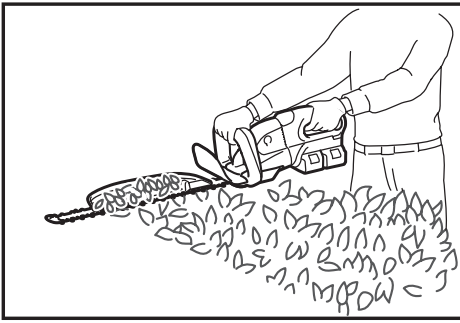
► (1) Altura de corte (2) 10 cm (4")



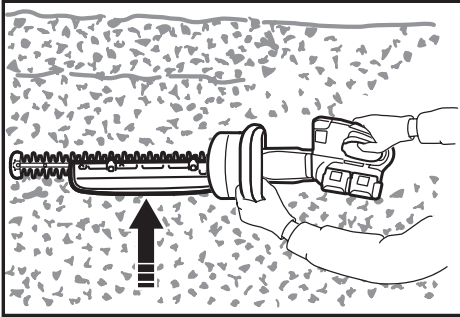
Para cortar la superficie del seto, es útil atar un cordón a la altura deseada y podar sobre esta guía visual.

⚠PRECAUCIÓN:

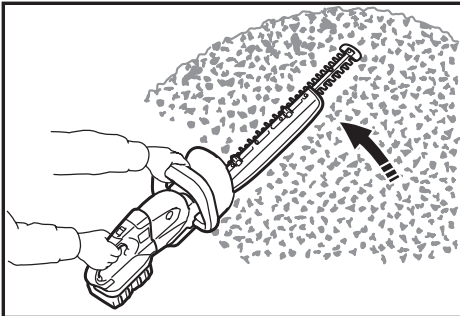
- No corte árboles muertos ni objetos similares. Ignorar esta indicación puede dañar la herramienta.



La colocación del recolector de residuos (accesorio opcional) en la herramienta al hacer el podado del seto de forma recta puede evitar que las hojas cortadas salgan proyectadas.



Gire el mango para un manejo fácil antes de la operación. Consulte la sección titulada "Posiciones de colocación del mango".
Para el corte lateral del seto de forma uniforme, resulta útil cortar de abajo hacia arriba.



Podar los setos conformados con boje o rododro desde la base hacia arriba para conseguir una buena apariencia y acabado.

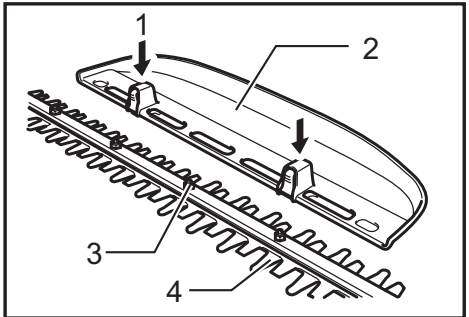
Instalación o desmontaje del recolector de residuos (accesorio opcional)

⚠ PRECAUCIÓN:

- Siempre asegúrese de que la herramienta está apagada y que el cartucho de la batería no esté puesto antes de instalar o desinstalar el recolector de residuos.

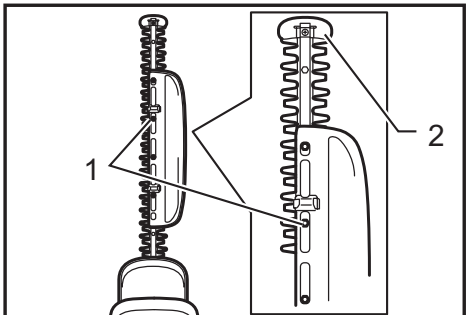
NOTA:

- Al colocar el recolector de residuos, use siempre guantes para no exponer las manos directamente a las cuchillas. No seguir esta indicación puede resultar en lesiones personales.
- Asegúrese siempre de quitar la cubierta de la cuchilla antes de instalar el recolector de residuos y astillas.
- El recolector de residuos recibe las hojas cortadas y ahorra la labor de tener que recolectarlas para su eliminación posterior. Puede instalarse en cualquier lado de la herramienta.



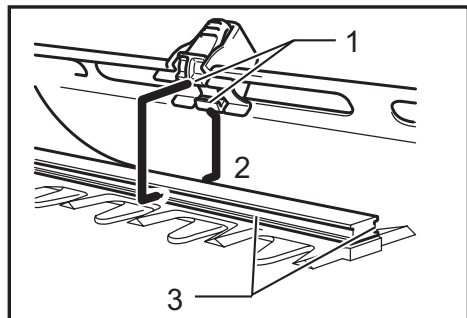
- 1. Presionar 2. Recolector de residuos 3. Tuerca 4. Cuchilla de corte

Presione el recolector de residuos sobre las cuchillas de cizalla de tal forma que se deslice empalándose con las tuercas de las cuchillas de cizalla. En este punto, asegúrese que el recolector de residuos no haga contacto con el receptor de ramas en la parte superior de las cuchillas de cizalla.



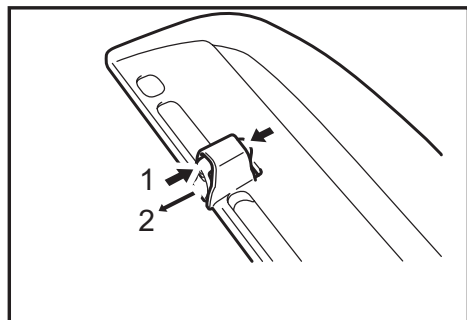
- 1. Tuerca 2. Receptor de ramas

En este punto, el recolector de residuos necesita instalarse de tal forma que sus ganchos encajen en las ranuras en la unidad de las cuchillas de cizalla.



- 1. Ganchos 2. Encajar los ganchos en las ranuras
3. Ranuras

Para quitar el recolector de residuos, presione su palanca sobre ambos lados de tal forma que se desbloqueen los ganchos.



- 1. Presionar las palancas sobre ambos lados
2. Desbloquear los ganchos

PRECAUCIÓN:

- La cubierta de las cuchillas no puede instalarse sobre la herramienta con el recolector de residuos instalado. Antes de cargar la herramienta para almacenarla, desinstale el recolector de residuos y luego coloque la cubierta de las cuchillas para evitar que éstas queden expuestas.

NOTA:

- Compruebe que el recolector de residuos haya quedado fijo en su instalación antes de usar la herramienta.
- Nunca intente desinstalar el recolector de residuos mediante fuerza excesiva mientras los ganchos están bloqueados en las ranuras de la unidad de las cuchillas. El uso de fuerza excesiva puede dañar la unidad.

MANTENIMIENTO

PRECAUCIÓN:

- Asegúrese siempre de que la herramienta esté apagada y el cartucho de batería extraído antes de intentar realizar una inspección o mantenimiento.
- Nunca use gasolina, bencina, diluyente (tíner), alcohol o sustancias similares. Puede que esto ocasione grietas o descoloramiento.

Limpieza de la unidad

Limpie la herramienta al eliminar el polvo con un paño seco o sumergido en agua con jabón.

Mantenimiento de las cuchillas

Unte aceite de máquina en las cuchillas antes del uso y una vez por hora durante su operación.

NOTA:

- Quite el recolector de residuos antes de untar aceite a las cuchillas.

Tras la operación, elimine el polvo de ambos lados de la cuchilla con una brocha de alambre, límpiela con un trapo y luego aplique aceite de baja viscosidad, como aceite para máquina, aceite en aerosol para lubricar o similar.

PRECAUCIÓN:

- No la lave las cuchillas en el agua. No seguir esta indicación puede causar oxidación o daños a la herramienta.

AVISO: Si las piezas, además de las cuchillas de cizalla, como la manivela están desgastadas, pida a los centros de servicio autorizados de Makita las piezas de reemplazo o su reparación.

Extracción e instalación de las cuchillas de cizalla

PRECAUCIÓN:

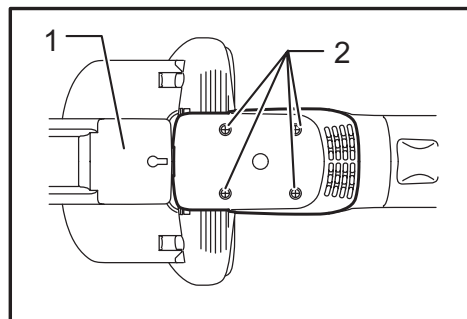
- Antes de extraer o instalar las cuchillas de cizalla, asegúrese siempre que la herramienta esté apagada y sin el cartucho de la batería.
- Al colocar la cuchilla de corte, use siempre guantes sin retirar la cubierta de las cuchillas para no exponer las manos ni el rostro directamente a las cuchillas. No seguir esta indicación puede resultar en lesiones personales.

NOTA:

- No elimine la grasa del motor ni de la manivela. Ignorar esta indicación puede dañar la herramienta.
- Para el procedimiento específico de extraer e instalar las cuchillas de cizalla, consulte el reverso del paquete del accesorio de las cuchillas de cizalla.

Desinstalación de las cuchillas de cizalla

Invierta la herramienta y afloje los cuatro tornillos.

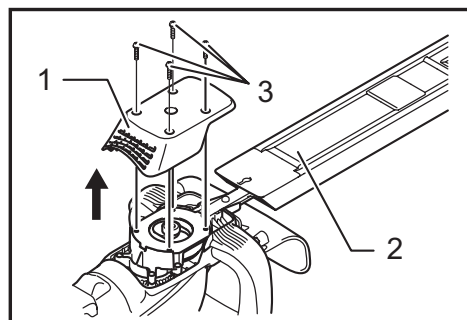


► 1. Cubierta protectora de las cuchillas 2. Tornillos

NOTA:

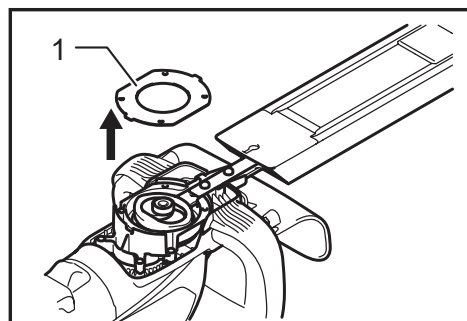
- Tenga la precaución de no exponer sus manos sucias a la grasa aplicada en la sección de control de las cuchillas de cizalla.

Retire la cubierta inferior.



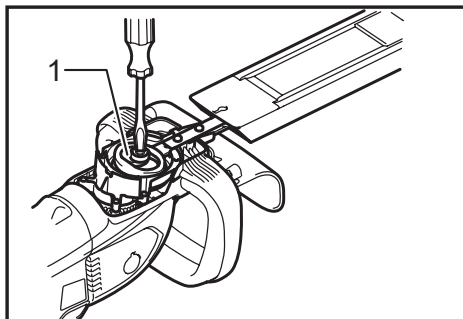
► 1. Cubierta por debajo 2. Cubierta protectora de las cuchillas 3. Tornillos

Retire la plancha.



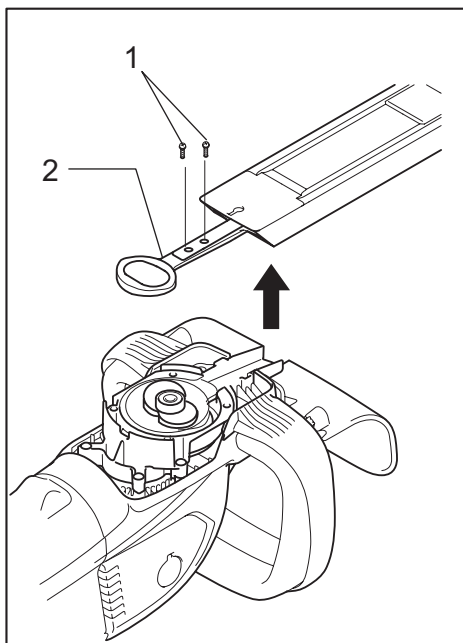
► 1. Placa

Posicione la manivela al ángulo ilustrado en la figura con un destornillador ranurado.



► 1. Manivela

Retire los dos tornillos de las cuchillas de las cizallas y retire la unidad de la cuchilla de la cizalla.



► 1. Tornillos 2. Cuchilla de corte

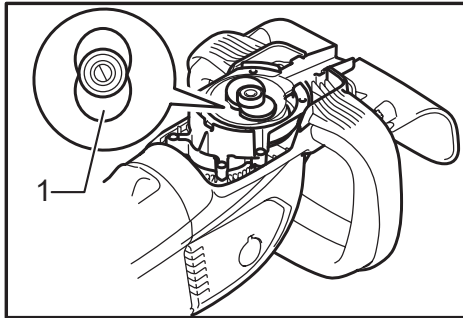
⚠ PRECAUCIÓN:

- Restaure el motor a la posición original de tal manera que quede como fue instalado en caso de que se haya extraído por error.

Instalación de las cuchillas de cizalla

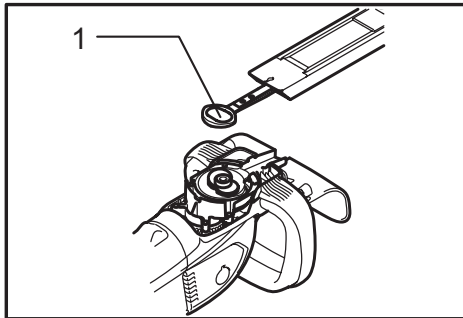
Prepare los 4 tornillos retirados (de la cubierta inferior), los 2 tornillos (de la cuchilla de la cizalla), la placa, la cubierta, la cubierta inferior y las nuevas cuchillas de cizalla.

Ajuste la manivela a la posición ilustrada en la figura. En este punto, aplique algo de la grasa incluida con las nuevas cuchillas de cizalla alrededor de la manivela.



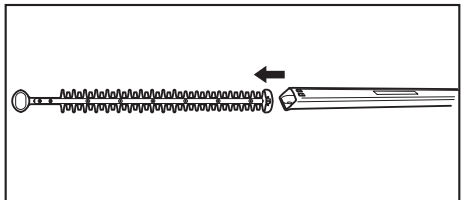
► 1. Manivela

Empalme el orificio ovalado en la cuchilla superior con el orificio de la cuchilla inferior.

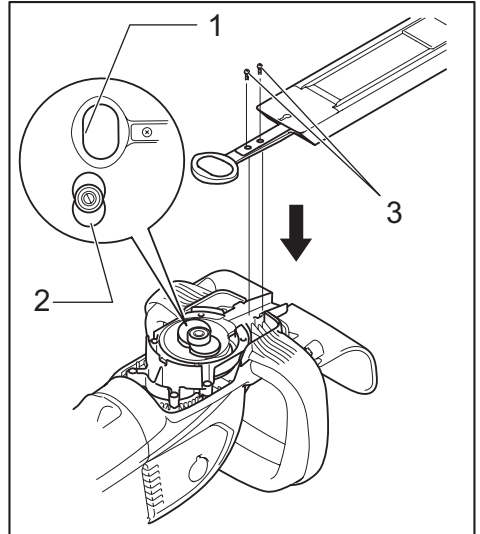


► 1. Orificio ovalado de las cuchillas de cizalla

Retire la cubierta de la cuchilla de las cuchillas viejas y colóquela en las nuevas para un fácil manejo durante el reemplazo de las cuchillas.

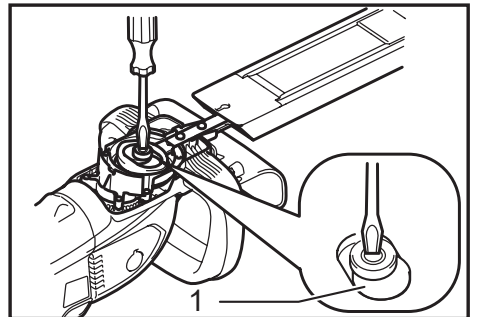


Coloque las nuevas cuchillas de cizalla en la herramienta de tal manera que los orificios ovalados en las cuchillas encajen con la manivela. Empalme los orificios de las cuchillas de cizalla con los orificios de los tornillos en la herramienta y fije con los dos tornillos.



► 1. Orificio ovalado de las cuchillas de cizalla
2. Manivela 3. Tornillos

Compruebe que la manivela gire sin problema con un destornillador ranurado.



► 1. Manivela

Coloque la placa y la cubierta inferior en la herramienta. Apriete firmemente el tornillo.

NOTA:

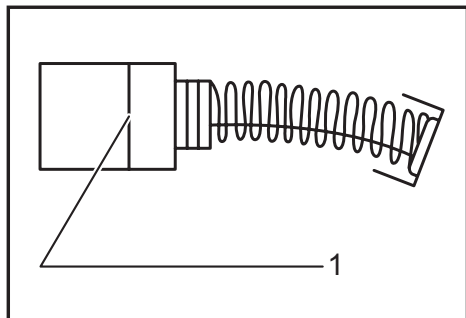
- No ha distinción entre la cara superior e inferior de la placa.

Retire la cubierta de la cuchilla y luego gire la herramienta para comprobar un movimiento adecuado.

NOTA:

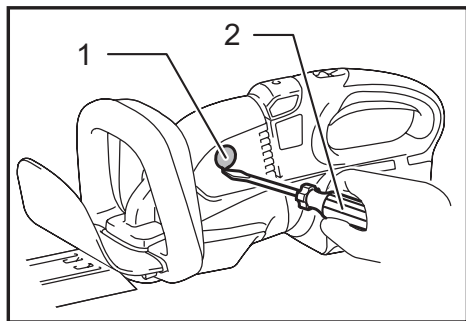
- Cuando las cuchillas de cizalla no funcionan bien, hay un encaje deficiente entre las cuchillas y la manivela. Repita el procedimiento desde un comienzo en este caso.

Reemplazamiento de las escobillas de carbón



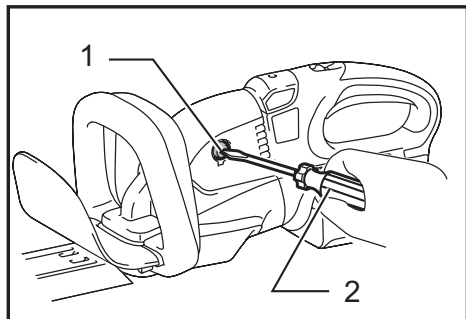
► 1. Marca límite

Extraiga e inspeccione de forma periódica las escobillas de carbón. Sustitúyalas cuando se hayan gastado hasta la marca límite. Mantenga las escobillas de carbón limpias de forma que entren libremente en los portaescobillas. Ambas escobillas de carbón deberán ser sustituidas al mismo tiempo. Utilice únicamente escobillas de carbón originales e idénticas.



► 1. Tapadera del sujetador 2. Destornillador ranurado

Inserte el extremo superior del destornillador ranurado en la muesca sobre la herramienta y retire la tapadera del sujetador al levantar.

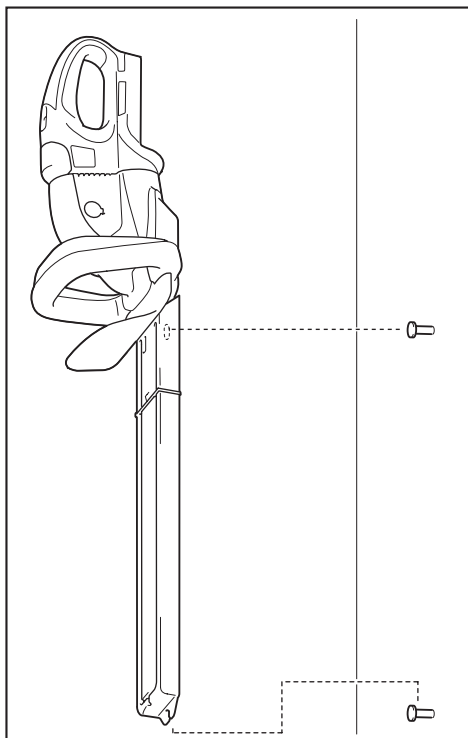


► 1. Tapa del carbón 2. Destornillador ranurado

Utilice un destornillador ranurado para quitar los tapones de los portaescobillas. Reemplace las escobillas de carbón gastadas con nuevas y fíjelas con las tapones para fijarlos. Reinstale la tapadera del sujetador sobre la herramienta.

Almacenamiento

El orificio del gancho en el fondo de la cubierta de la cuchilla es útil para colgar la herramienta de un clavo o tornillo insertado en la pared.



Extraiga el cartucho de la batería y ponga la cubierta de la cuchilla sobre las cuchillas de cizalla de tal forma que éstas no queden expuestas. Almacene la herramienta asegurando que quede fuera del alcance de los niños. Almacene la herramienta en un lugar que no esté expuesto al agua ni a la lluvia.

Para mantener la **SEGURIDAD** y **FIABILIDAD** del producto, las reparaciones, y cualquier otra tarea de mantenimiento o ajuste deberán ser realizadas en Centros de Servicio Autorizados por Makita, empleando siempre repuestos Makita.

ACCESORIOS OPCIONALES

⚠ PRECAUCIÓN:

- Estos accesorios o aditamentos (incluidos o no) están recomendados para utilizar con su herramienta Makita especificada en este manual. El empleo de cualesquiera otros accesorios o acoplamientos conllevará un riesgo de sufrir heridas personales. Utilice los accesorios o acoplamientos solamente para su fin establecido.

Si necesita cualquier ayuda para más detalles en relación con estos accesorios, pregunte a su centro de servicio Makita local.

- Cubierta de la cuchilla
- Ensamble de la cuchilla de cizalla
- Batería y cargador originales de Makita
- Recolector de residuos

NOTA:

- Algunos de los artículos en la lista puede que vengan junto con el paquete de la herramienta como accesorios incluidos. Puede que estos accesorios varíen de país a país.

GARANTÍA LIMITADA DE MAKITA

Ésta Garantía no aplica para México

Consulte la hoja de la garantía anexa para ver los términos más vigentes de la garantía aplicable a este producto. En caso de no disponer de esta hoja de garantía anexa, consulte los detalles sobre la garantía descritos en el sitio web de su país respectivo indicado a continuación.

Estados Unidos de América: www.makitatools.com

Canadá: www.makita.ca

Otros países: www.makita.com

Makita Corporation

3-11-8, Sumiyoshi-cho,
Anjo, Aichi 446-8502 Japan

www.makita.com

885336G931 DUH551-5 EN, FRCA, ESMX 20210622
--